

Rackmount Panel Display Replacement

Product Features

- 19" Active Matrix LCD
- Resolution from 800 x 600 up to 1280 X 1024
- Cold Rolled Steel Bezel with Black Textured Finish or Custom Color
- Standard Mounting Holes
- Resistive Touchscreen
- 6' Cable Set
- Analog Controller (VGA/DVI)
- 9V Form Factor

Ideal Replacement For:

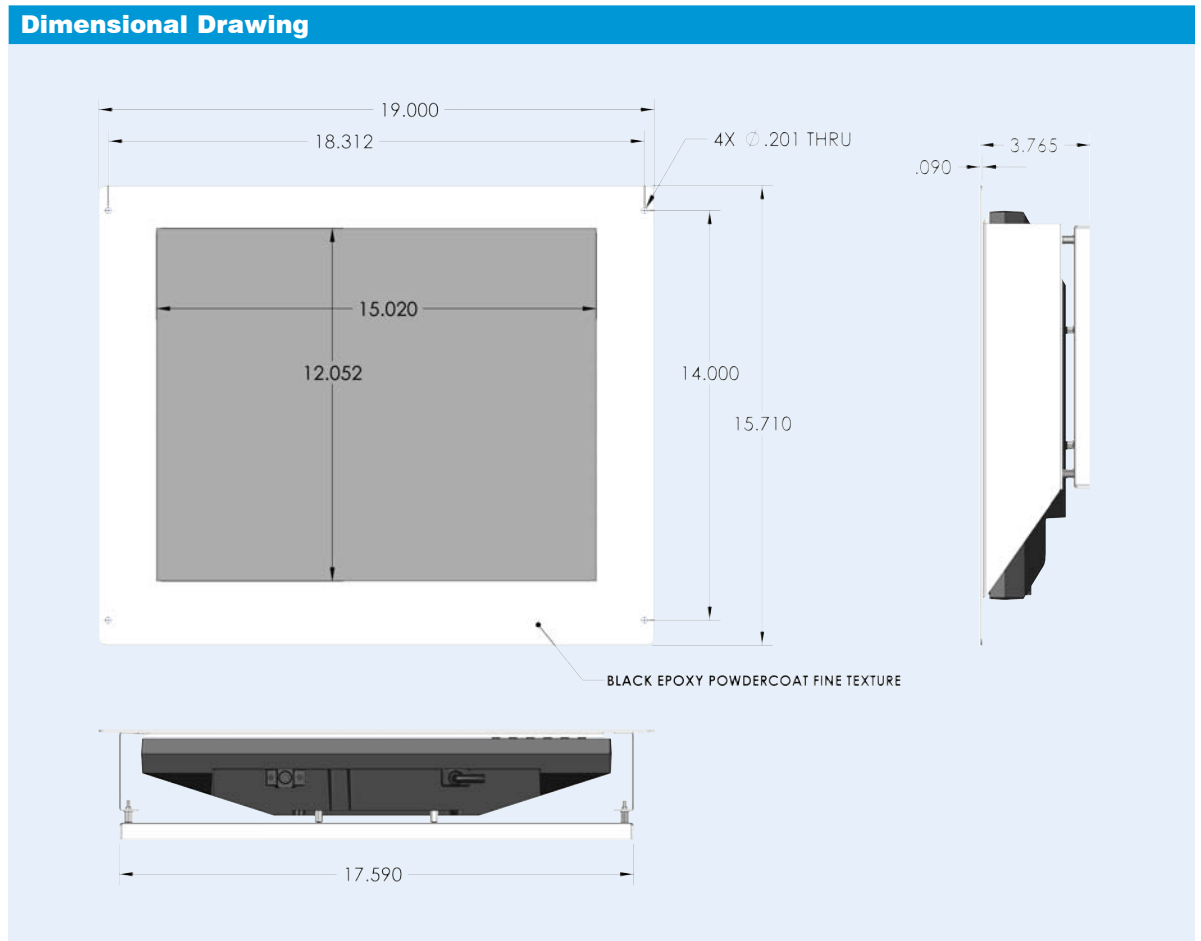
Allen Bradley 1900M and 2000M



Specifications

| LCD Display | 19" Display |
|-----------------------|--|
| Active Display Area | 396 x 321 |
| Resolution | 1280 x 1024 |
| Brightness | 300 cd/m2 |
| Viewing Angle | 170°H/160°V |
| Colors | 16.7 Million |
| Contrast Ratio | 800:1 |
| Backlight | (4) CCFL's |
| Backlight Life | 30,000 Hrs. |
| Touchscreen | Resistive, Universal USB/Serial Controller |
| Screen Protection | .125 Thick Plexiglass, Scratch Resistant (Optional) |
| Mechanical | |
| Overall Dimensions | 19.0 x 15.71 x 3.76 |
| (WxHxD) | (482 x 399 x 95.50)mm |
| Weight | 17 lbs. (9.76 kg) |
| Material | 5052 Aluminum (Chassis) Cold Rolled Steel (Front Bezel) |
| Bezel Finish/Color | Epoxy Powder Coat Black |
| Shock | 10G, 3 Axis, 11ms |
| Vibration | 10Hz to 500Hz, 1.0G |
| Humidity, Operating | 20% - 95% (Non-Condensing) |
| Operating Temperature | 0° to 50°C |
| Extended Temperature | Consult Factory |
| Electrical | |
| Voltage | 100-240VAC 50/60Hz |
| Power Consumption | 40 Watts |
| Options | |
| Custom Paint | Consult Factory |

Rackmount Display



COMARK CORPORATION

93 West Street
Medfield, MA 02052

Toll Free 1-800-280-8522
Fax 508-359-2267
Local 508-359-8161

Specifications subject to
change without notice.
Contact COMARK for
current pricing.

www.comarkcorp.com

All brand names, trademarks
and registered trademarks
are the property of their
respective owners