

Pilot House Displays

Features and Benefits

- 19" Diagonal
- Sunlight Readable Display Optional
- 0-100% Adjustable Brightness
- Touchscreen Optional
- Overhead Bracket Optional
- Tip-Proof /
Hard Mountable Base
- Conformal Coated Electronics
- Integrated Speakers
- 100mm VESA Mount Option
- Aluminum Construction



Specifications

19" LCD

LCD Screen

Resolution	1280 x 1024
Brightness (typical)	300 cd/m ²
Viewing Angle	Horizontal: 80L/80R Vertical: 75U/70D
Colors	more than 16 million
Contrast Ratio	800:1
Touchscreen	Option, Resistive

Physical

With Touchscreen / Without	17.78" x 16.8 x 9" 451.6mm x 426.7mm x 228.6mm
Weight	14.4 lbs. with base 15.4 lbs. with touchscreen and base
Color	Black

Electrical

Input Signal	DVI-D VGA 15 pin D-Sub
Power Supply Input	AC 100~240V @ 50-60Hz
Power Consumption (maximum)	45 Watts

COMARK CORPORATION

www.comarkcorp.com

Doc pilot_display_b
Last Updated:
07/11/11

93 West Street
Medfield, MA 02052

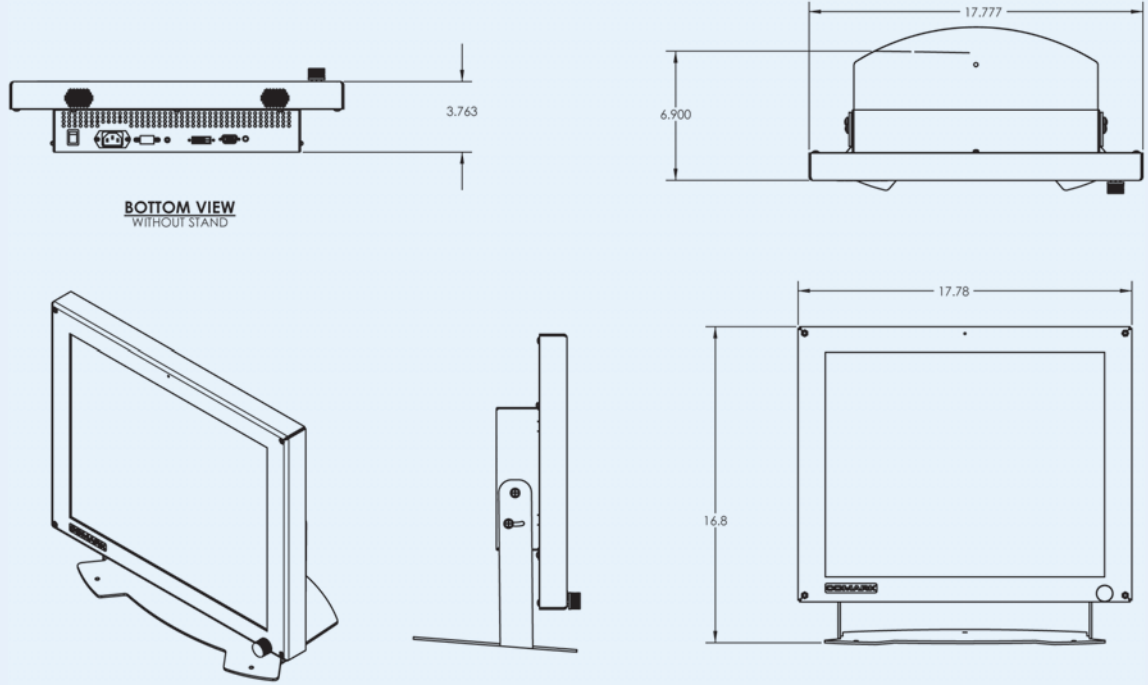
Toll Free 1-800-280-8522
Fax 508-359-2267
Local 508-359-8161

Specifications subject to
change without notice.
Contact COMARK for
current pricing.

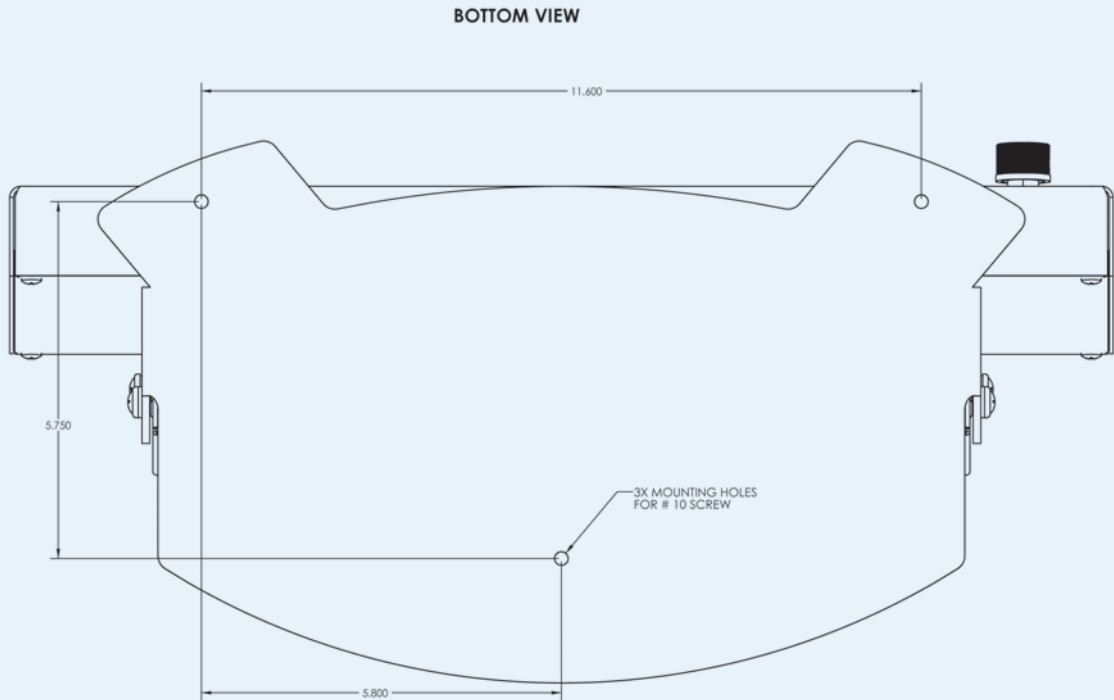
All brand names, trademarks
and registered trademarks
are the property of their
respective owners

Pilot House Display

Dimensional Drawing



Mounting Hole Drawing



COMARK CORPORATION

www.comarkcorp.com

93 West Street
Medfield, MA 02052

Toll Free 1-800-280-8522
Fax 508-359-2267
Local 508-359-8161

Specifications subject to
change without notice.
Contact COMARK for
current pricing.

All brand names, trademarks
and registered trademarks
are the property of their
respective owners