

MDUPC Marine Computer Series

LCD Display Features

- 12", 15", 17", 19" or 20" Active Matrix LCD
- Machined Aluminum Bezel
- Full Dimming Capability
- Sunlight Readable With Transflective Film Enhancements (12" - 19" Only)
- Panel Mount (Standard), Desk/Overhead Mount, VESA Mount, Rack Mount Optional
- Resistive Touchscreen Option
- ECDIS & ECDIS-N Compliant (19" & 20")

Computer Features

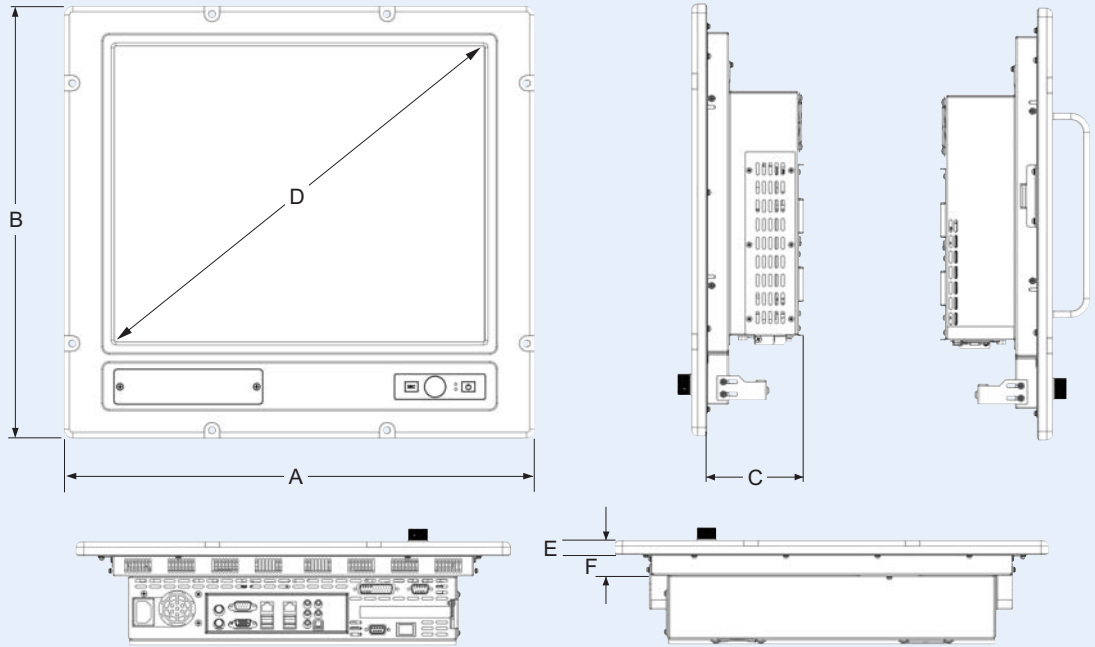
- Celeron M or Core 2 Duo
- Up to 4 GB RAM
- Compact Flash, up to 32GB
- 2½" HD Option (SATA)
- (2)Gb LAN Ports
- Rack Mount Option
- PCI Card Slot Option (Excluding 12")
- IEC 60945
- ABS Type Approved (15" & 19")
- MIL Tested Versions Available
- CD/DVD & Optional (2) Front USB Ports (MDUPC Only)



Specifications

LCD Display	MDUPC20	MDUPC19	MDUPC17	MDUPC15	MDUPC12				
Resolution	1600 x 1200	1280 x 1024	1280 x 1024	1024 x 768	800 x 600 or 1024 x 768				
Brightness (typical) (optional)	250 cd/m ²	250 cd/m ² or 1000 cd/m ²	250 cd/m ² or 1000 cd/m ²	250 cd/m ² or 1350 cd/m ²	340 cd/m ² or 1000 cd/m ²				
Viewing Angle H/V	85/85/85/85	89/89/89/89	85/85/80/80	75/75/70/75	65/65/50/60				
Colors	16.7 Million	16.7 Million	16.7 Million	16.7 Million	262 Thousand				
Contrast Ratio	800:1	800:1	1000:1	800:1	500:1				
Backlight (standard) (optional)	CCFL	CCFL LED High Bright	CCFL LED High Bright	CCFL LED High Bright	CCFL LED High Bright				
Screen Protection	AR Glass Standard, EMI and Safety Glass Optional								
Optional Touchscreen	Resistive, USB/Serial Controller								
Mechanical									
Drop in replacement for:	JH 19T14 MMC	JH 19T14 MMC		JH 15T17 MMC					
W x H x D (inch)	19.0 x 15.7 x 4.8	19.0 x 15.7 x 4.8	16.5 x 12.5 x 3.6	16.5 x 12.5 x 3.6	13.4 x 10.1 x 3.6				
(mm)	483 x 399 x 122	483 x 399 x 122	419 x 318 x 99	419 x 318 x 99	340 x 257 x 91				
Weight lbs (kgs)	23.5 lbs (8.77 kg)	20.5 lbs (7.65 kg)	15.5 lbs (7.0 kg)	13.5 lbs (6.13 kg)	11.5 lbs (5.0 kg)				
Bezel/Finish/Color	Machined Aluminum Bezel/Class A Epoxy Powder Coat Finish								
Custom Finish	Consult Factory								
NEMA Rating	4/4X (IP65/66) (Front bezel only)								
Shock	MIL 901D								
Vibration	MIL 167-1- 60945								
Humidity, Operating	5% to 95%								
Operating Temperature	-20° to +55°C								
EMI	IEC 60945, MIL 461F								
Electrical									
Voltage	115/230V Auto Switching or 9-36 VDC								
Power Consumption	120 Watts	110 Watts	100 Watts	100 Watts	70 Watts				
Computer									
Celeron M	2.13GHz	Y	2	1	2	4	Y		
Core 2 Duo	2.2GHz	Y	2	1	2	4	Y		
Core i5	2.4GHz	Y	2	1	2	4	Y	2	
Compact Flash	Up to 16GB								
PCI Expansion	(1) 32 Bit Card Slot (Not available on MDUPC12)/(1) PCI Express 16								
2 ½" Drive	Up to 1TB Rotating Hard Drive, Up to 600GB Solid State Drive								

Dimensional Drawing



Dimensions (Inches)

KEY	MDUPC20	MDUPC19	MDUPC17	MDUPC15	MDUPC12
A	19.0	19.0	18.11	16.2	13.4
B	17.5	17.5	15.75	13.6	10.1
C	6.05	3.95	2.40	2.40	2.30
D	20.1	19.0	17.0	15.0	12.0

Dimensions (Millimeters)

KEY	MDUPC20	MDUPC19	MDUPC17	MDUPC15	MDUPC12
A	482.6	482.6	460.0	411.5	340.4
B	444.5	444.5	400.0	345.5	256.5
C	153.7	100.33	61.0	61.0	58.4
D	510.6	482.6	431.8	381.0	304.8

Cutout Drawing

Cutout Dimensions (Inches)

KEY	MDUPC20	MDUPC19	MDUPC17	MDUPC15	MDUPC12
A	16.38	16.38	14.80	12.75	9.1
B1	3.35	3.35	3.73	2.00	1.65
B2	2.52	2.52	2.47	2.00	1.65
C	17.24	17.24	16.45	14.52	12.3
D	5.08	5.08	N/A	4.26	3.96
D1	N/A	N/A	8.21	N/A	N/A
E	0.53	0.53	0.35	0.35	0.18
F	0.16	0.16	0.14	0.14	0.18
G	0.28	0.28	0.14	0.14	0.18
H	0.25	0.25	0.25	0.25	0.25

Cutout Dimensions (Millimeters)

KEY	MDUPC20	MDUPC19	MDUPC17	MDUPC15	MDUPC12
A	416	416	375.9	324	230
B1	85	85	94.75	51	42
B2	64	64	62.74	51	42
C	438	438	417.9	369	313
D	129	129	N/A	108.3	100.5
D1	N/A	N/A	208.5	N/A	N/A
E	14	14	9	9	4.5
F	4	4	3.5	3.5	4.5
G	7	7	3.5	3.5	4.5
H	M6	M6	M6	M6	M6

