

47" Display/Touch Monitor



Product Features

Display Monitor Features

- 47" LED LCD
- 450 cd/m² Brightness
- 1920 x 1080P Resolution
- Touch Screen Option:
 - Projected Capacitive Touch Screen
 - Polycarbonate
 - Safety Glass
- Commercial Interface Available
- Multi-Functional Input Support:
 - Analog - DSUB - 15P
 - Digital - DVI-D/HDMI

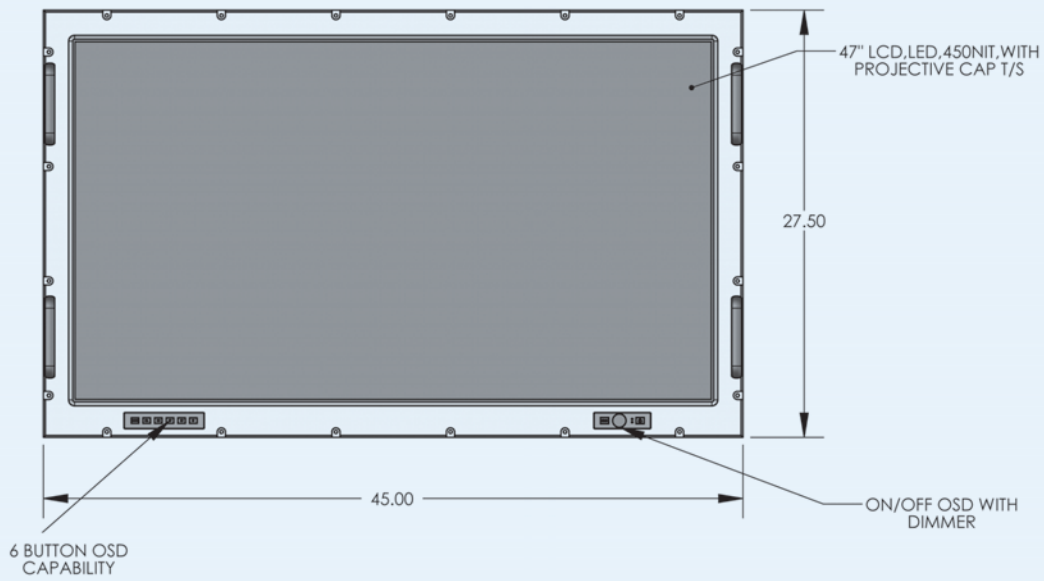
Specifications

LCD	Resolution	1920 x 1080P
	Brightness	450 cd/m ²
	Brightness Control (Optional)	0 - 100%
	Viewing Angle	178° V/H
	Colors	1.06 Billion
	Contrast Ratio	1400:1
Touch Screen Interface		Projected Capacitive Touch Screen (Optional)
	I/O Ports - Configurable	(1) VGA - D15S - SUB
	Available with Commercial Interface	(1) DVI - D249
		(1) Composite - RCA Jack
		(1) S Video - Mini 4 pm DIO
		(1) HDMI
	Sound	Line In, Out, Stereo Jacks
Electrical	Voltage	90-264 volts AC
	Current	1.66 amps (Maximum)
	Power Consumption	200 watts (Maximum)
Physical	Dimensions	45w x 27.5h x 4.08d
	Weight	88 lbs
	Material	ABS Plastic
	Color	Black
	Finish	Fine Texture Marine Paint
	Mounting	Horizontal/Vertical
Environmental	Temp, operating	-20 to + 50 °C
	Temp, storage	-20 to + 60 °C
	Handles	5" Aluminum

COMARK CORPORATION

www.comarkcorp.com

Dimensional Drawing



Panel Mounting Template

