

## 23.1" Marine Display Unit

### Product Features

- Commercial or Military Versions Available
- ECDIS & ECDIS-N Compliant
- 400 cd/m<sup>2</sup> LED Backlit Display
- MultiSync Compliant
- 1600 x 1200 UXGA Resolution
- Machined Aluminum Bezel
- EMI Glass/Touchscreen Optional
- Full Dimming Control
- Ambient Light Detection Optional
- MultiFunction Input Selection:  
VGA, DVI, Composite Video
- Conformal Coated Electronics

### Engineered to Meet High Test Standards

STANDARD	DESCRIPTION	VALUE
MIL-901D	Shock	Grade A
MIL-167-1	Vibration	
MIL-461E	EMI/EMC	
MIL-810F	Operating Temperature	-15° to +55°C
	Storage Temperature	-40° to +85°C
	Humidity	5% to 95%
IEC60945	Maritime Standard	
EN60945	Maritime Standard	
ECDIS	Electronic Chart Display Standard	
ECDIS-N	Navy Electronic Chart Display Standard	

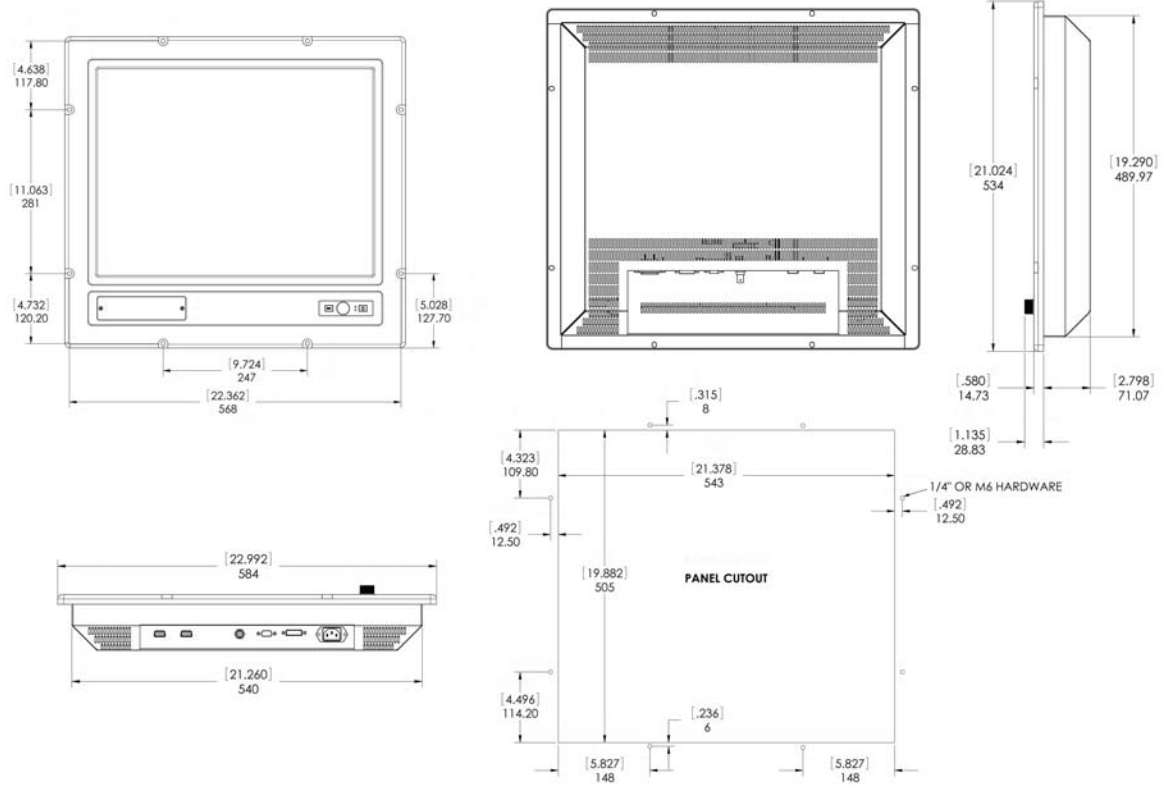


### Specifications

<b>LCD</b>	Resolution	1600 x 1200
	Brightness	400cd/m <sup>2</sup> standard
	Brightness Control	0 - 100%
	Viewing Angle	±85° horizontal / ±85° vertical
	Colors	16.7 million
	Contrast Ratio	600:1
	<b>Controls</b>	Left OSD
Right OSD		Source, Brightness Knob, Light Sensor (Optional), PWR/Sync LED, ON/OFF PB
<b>HMI</b>	Touchscreen (optional)	Infrared RS232 Interface
<b>Electrical</b>	Voltage, standard	85-264VAC 50/60Hz
	Voltage (optional)	24VDC
	Current	0.74 @ 115 VAC
		3.5 @ 24 VDC
<b>Physical</b>	Power	84 Watts
	Enclosure	NEMA 4 Front Bezel, actively cooled with fans
	Dimensions (W x H x D) inch	22.99 x 21.02 x 3.62
	Dimensions (W x H x D) mm	584 x 534 x 91.9
	Weight	38.5 lbs. (17.463 kg)
	Material	5052 - Aluminum Frame, 6061 - Machined Aluminum Bezel
<b>Options</b>	Color/Silkscreen	Requires Specification
	Cables	6' Standard - Custom Length Optional
	Handles	Optional
<b>Certifications</b>	Type approved	ABS (Pending)

## Dimensional Drawing and Mounting Template

DIMENSIONS SUBJECT TO CHANGE



## Order Guide

### Standard Features

23" LCD complete with:

Machined aluminum bezel, 400 cd/m<sup>2</sup> LCD, 1600 x 1200 Resolution, 0-100% Brightness Control, EMI Glass optional, Front OSD Controls, and Conformal Coated Electronics.

Size: 22.99"W x 21.02"H x 3.04" D  
(584mm x 534mm x 77.32mm)