

## 20" Marine Display Unit

### Product Features

- Commercial or Military Versions Available
- ECDIS & ECDIS-N Compliant
- 250 cd/m<sup>2</sup> Brightness
- MultiSync Compliant
- 1600 x 1200 UXGA Resolution
- Machined Aluminum Bezel
- EMI Glass/Touchscreen Optional
- Full Dimming Control
- Ambient Light Detection Optional
- MultiFunction Input Selection:  
VGA, DVI, Composite Video
- Conformal Coated Electronics

### Engineered to Meet High Test Standards

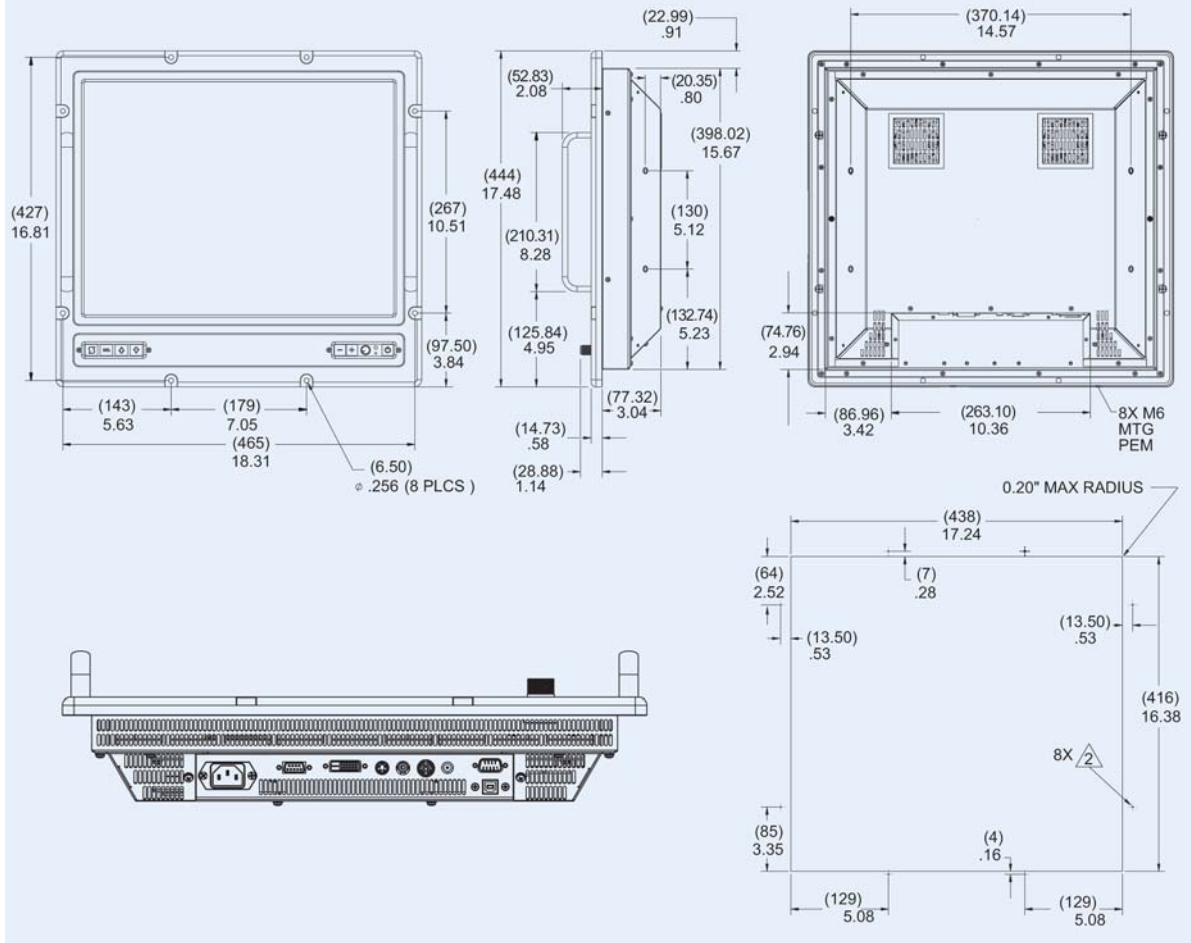
STANDARD	DESCRIPTION	VALUE
MIL-901A	Shock	80G, 11 ms, 3 Axis
MIL-167-1	Vibration	5 - 33Hz
MIL-461E	EMI/EMC	
MIL-810F	Operating Temperature	-15° to +55°C
	Storage Temperature	-40° to +85°C
	Humidity	5% to 95%
IEC60945	Maritime Standard	
EN60945	Maritime Standard	
ECDIS	Electronic Chart Display Standard	
ECDIS-N	Navy Electronic Chart Display Standard	



### Specifications

<b>LCD</b>	Resolution	1600 x 1200
	Brightness	250cd/m <sup>2</sup> standard
	Brightness Control	0 - 100%
	Viewing Angle	±85° horizontal / ±85° vertical
	Colors	16.7 million
	Contrast Ratio	350:1
	<b>Controls</b>	Left OSD
Right OSD		Source, Brightness Knob, Light Sensor (Optional), PWR/Sync LED, ON/OFF PB
<b>HMI</b>	Touchscreen (optional)	Resistive RS232 Interface
<b>Electrical</b>	Voltage, standard	85-264VAC 50/60Hz
	Voltage (optional)	24VDC
	Current	.5 Max @ 115VAC
		2.2 Max @ 24VDC
<b>Physical</b>	Power	54 Watts Maximum
	Enclosure	NEMA 4 Front Bezel, actively cooled with fans
	Dimensions (W x H x D) inch	19.0 x 17.48 x 3.62
	Dimensions (W x H x D) mm	483 x 444 x 91.9
	Weight	20.0 lbs. (9.07 kg)
<b>Options</b>	Material	5052 - Aluminum Frame, 6061 - Machined Aluminum Bezel
	Color/Silkscreen	Requires Specification
	Cables	6' Standard - Custom Length Optional
	Handles	Optional
<b>Certifications</b>	Type approved	ABS
	Designed to meet	IEC 60945, ECDIS, ECDIS-N

## Dimensional Drawing and Mounting Template



## Order Guide

### Standard Features

20" LCD complete with:  
 Machined aluminum bezel, 250NIT LCD, 1600 x 1200 Resolution, 0-100% Brightness Control, EMI Glass optional, Front OSD Controls, and Conformal Coated Electronics.

Size: 19.02"W x 17.48"H x 3.62" D  
 (483mm x 444mm x 92mm)