

12" Marine Display Unit

Product Features

- Commercial or Military Versions Available
- 400 cd/m² Brightness
- Sunlight Readable Optional
- MultiSync Compliant
- 800 x 600 or 1024 x 768 Native Resolution
- Machined Aluminum Bezel
- Optional Touchscreen
- Ambient Light Detection with Dimming Control
- MultiFunction Input Selection: VGA, DVI, Composite Video
- Conformal Coated Electronics
- Designed to MIL 901D, 167, 461, 810F and EN 60945 regulations

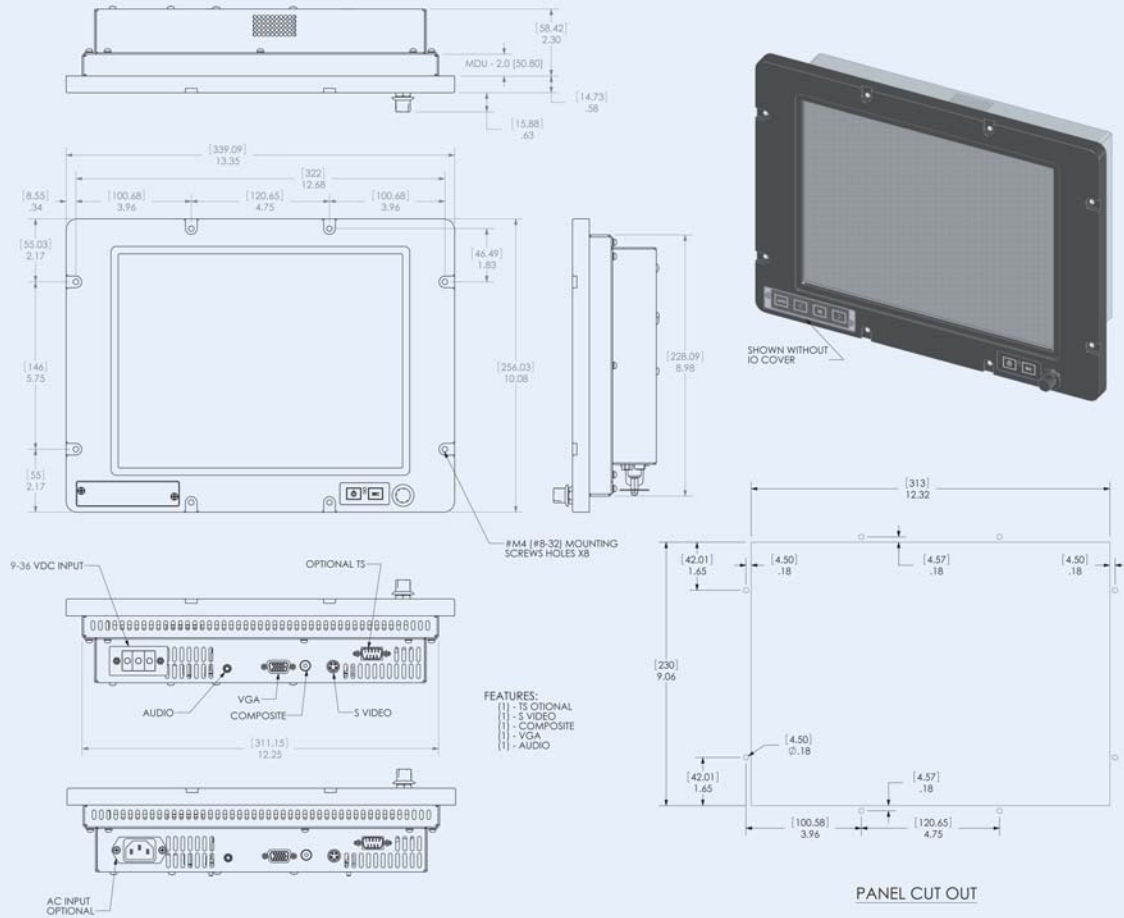


Specifications

LCD	Resolution	800 x 600 (1024 x 768 Optional)
	Brightness	400cd/m ² standard, (sunlight readable optional)
	Brightness Control	0 - 100%
	Viewing Angle	±85° horizontal/±85° vertical
	Colors	262,144
	Contrast Ratio	500:1
Controls	Left OSD	Menu, Select, Up, Down
	Right OSD	Source (+, -), Brightness Knob, PWR/Sync LED, ON/OFF PB
HMI	Touchscreen (optional)	RS232 Interface
Electrical	Voltage, standard	85-264VAC 50/60Hz
	Voltage (optional)	9-36VDC
	Current	.2A Max @ 115VAC
		1.84A Max @ 12VDC
Physical	Power	0.92A Max @ 24VDC
	Enclosure	22 Watts Typical, 30 Watts Maximum
	Dimensions (W x H x D) inch	NEMA 4 Front Bezel, actively cooled with fans
	Dimensions (W x H x D) mm	13.35 x 10.08 x 2.3
	Weight	339.09 x 256.03 x 58.42
	Material	9 lbs. (4.08 kg.)
Options	Color/Silkscreen	5052 - Aluminum Frame, 6061 - Machined Aluminum Bezel
	Cables	Requires Specification
	Handles	6' Standard - Custom Length Optional
		Optional

MODU12

Dimensional Drawing



COMARK CORPORATION

93 West Street
Medfield, MA 02052

Toll Free 1-800-280-8522
Fax 508-359-2267
Local 508-359-8161

www.comarkcorp.com

Specifications subject to
change without notice.
Contact COMARK for
current pricing.

All brand names, trademarks
and registered trademarks
are the property of their
respective owners.