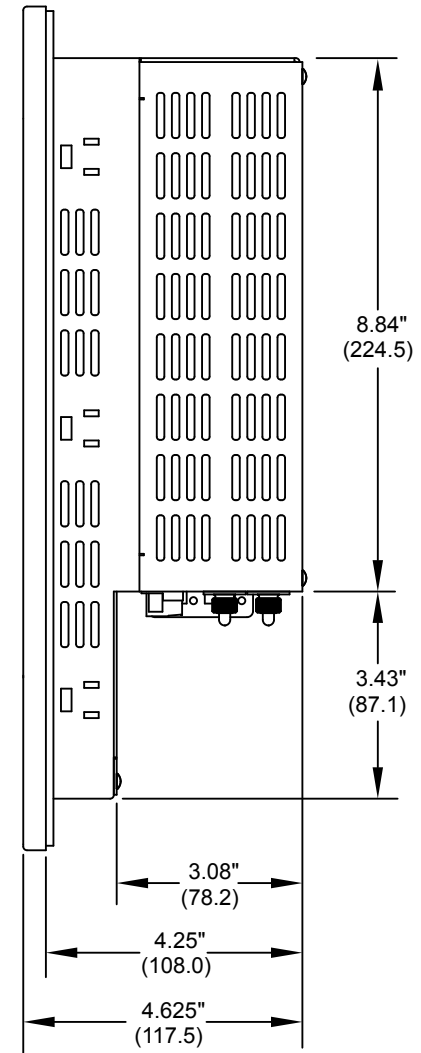
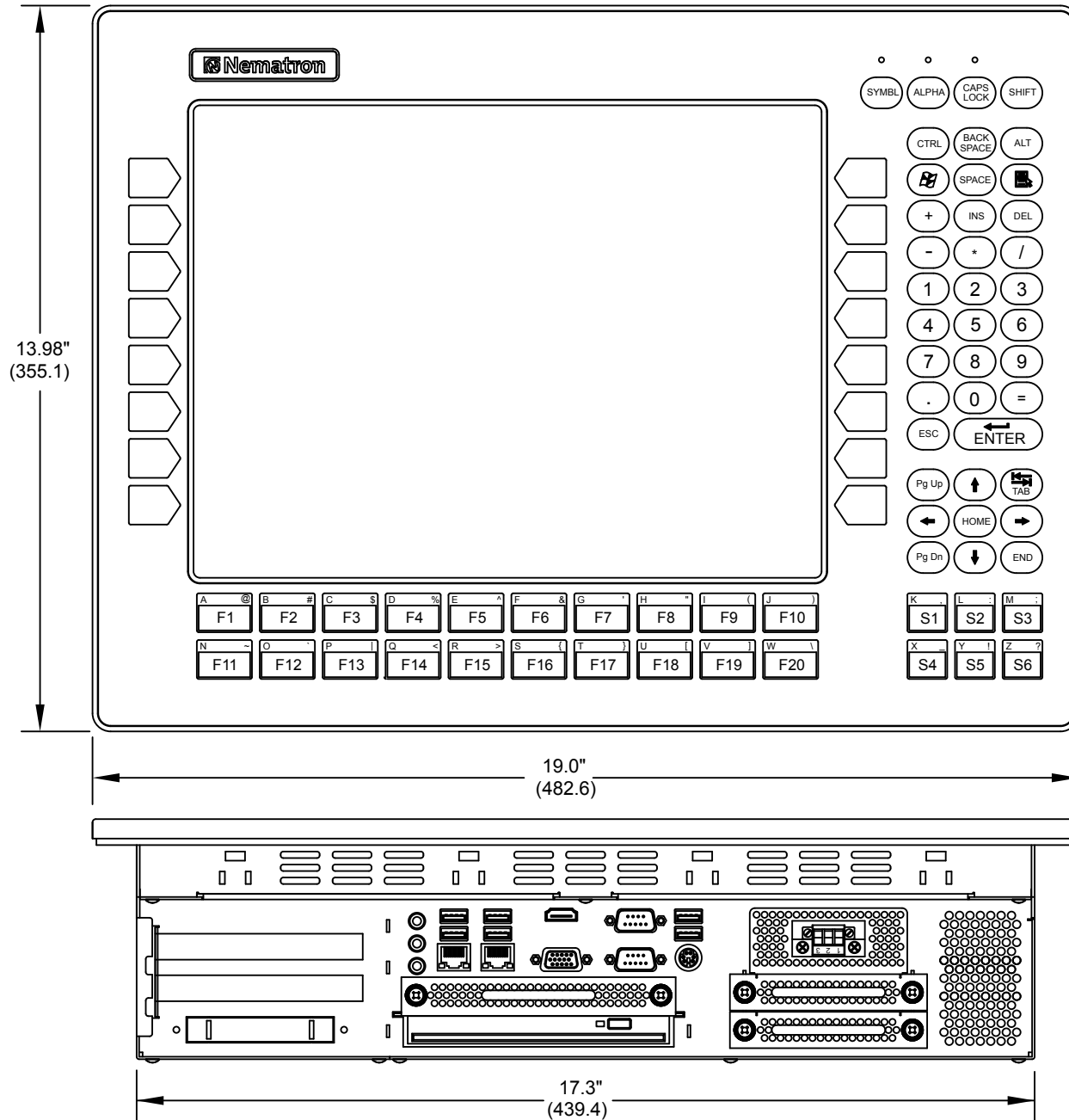


REVISIONS					
REV.	ENCL	CHANGE DESCRIPTION	BY	DATE	CHK. / ENG.
A	---	RELEASED TO MANUFACTURING AT REV. A		6-1-13	



CUTOUT DIMENSIONS:
17.40" (442) X 12.37" (314.2)

ITEM	DESCRIPTION		QTY	REF.
UNLESS SPECIFIED ALL DIMENSIONS ARE INCHES	PRODUCT	ASSY		Nematron
DECIMALS	METRIC	ANGLE		TITLE
X ±.020	±.5	±.5°		iPC1550KP(T)
XXX ±.005				
MATERIAL:	SEE NOTES	APPROVALS	DATE	DWG NO.
FINISH:	SEE NOTES	ENG. GJC	6-1-13	REV. A
DO NOT SCALE DRAWING	MPG	SCALE	SIZE	SHT 1 OF 1
	CHK	FULL	D	