

MDUPC Panel Mount Computer

LCD Display Features

- 15", 19" or 20" Active Matrix LCD
- Machined Aluminum Bezel
- Full Dimming Capability
- Sunlight Readable Option
- LED Backlight Option
- Resistive Touchscreen Option
- ECDIS & ECDIS-N Compliant

Computer Features

- Celeron M or Core 2 Duo
- Up to 4 GB RAM
- Compact Flash, up to 16GB
- 2½" HD Option
- (2) LAN Ports: (1)10/100, (1)Gbit / (2)Gbit
- Rack Mount Option
- PCI Card Slot Option (Excluding 12")
- IEC 60945 Type Approval Pending
- ABS Approval Pending

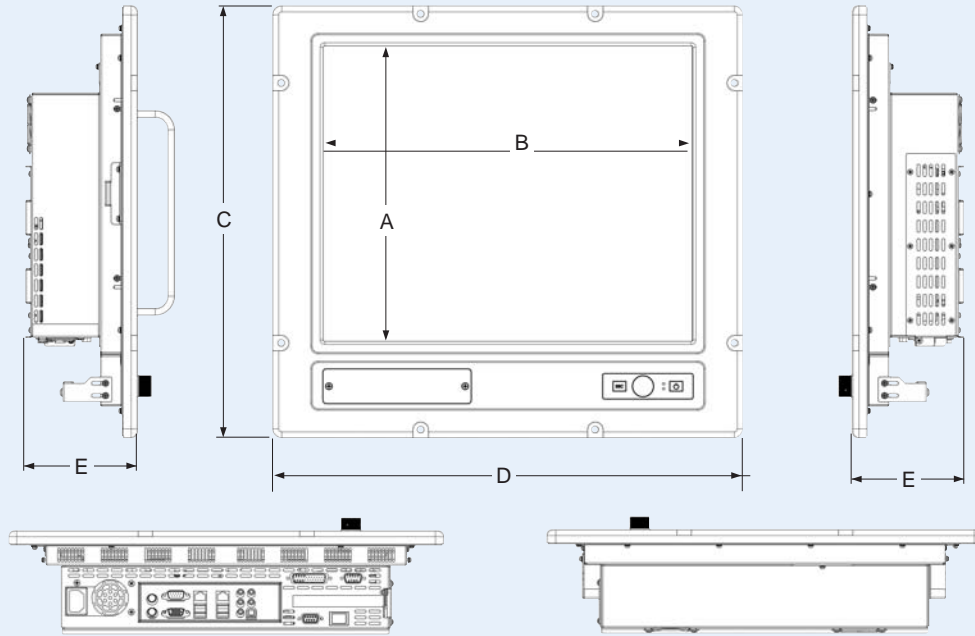


Specifications

LCD Display		MDU20	MDUPC19	MDUPC15					
Resolution		1600 x 1200	1280 x 1024	1024 x 768					
Brightness	(typical)	250 cd/m2	250 cd/m2 or 1000 cd/m2 (Option)	250 cd/m2 or 1350 cd/m2 (Option)					
Viewing Angle	H/V	174°/174°	178°/178°	140°/140°					
Colors		16.7 Million	16.7 Million	16.7 Million					
Contrast Ratio		400:1	800:1	550:1					
Backlight		(6) CCFL's	LED	LED					
Backlight Life		30,000 Hrs.	30,000 Hrs.	40,000 Hrs.					
Screen Protection		.125 Thick Plexiglass, Scratch Resistant, Safety Glass, EMI Glass Options							
Optional Touchscreen		Resistive, Universal USB/Serial Controller							
Mechanical									
W x H x D	(inch)	19.0 x 15.71 x 4.78	19.0 x 15.71 x 4.78	16.47 x 12.47 x 3.64					
	(mm)	482 x 399 x 121	482 x 399 x 121	418 x 316 x 92					
Weight	lbs (kgs)	21.5 lbs (9.76 kg)	21.5 lbs (9.76 kg)	13.5 lbs (6.13 kg)					
Bezel Finish/Color		Machined Aluminum Bezel							
Custom Finish		Consult Factory							
NEMA Rating		4/4X (IP65/66)							
Shock		80G, 11 ms, 3 Axis							
Vibration		5 - 33Hz							
Humidity, Operating		5% to 95%							
Operating Temperature		-15° to +55°C							
Extended Temperature		Consult Factory							
Electrical									
Voltage		115/230V Auto Switching or 24VDC							
Power Consumption		120 Watts	110 Watts	100 Watts					
Computer -			KB/MS	COM	VGA	10/100 LAN	1GB LAN	USB	AUDIO
Celeron M/Pentium M	1.8 GHz	Y	4	1	1	1	4	Y	
Core 2 Duo	2.2GHz	Y	2	--	--	2	4	Y	
Flash	1, 2, 4, 8, 16GB								
2 ½" Hard Drive	80GB, 120GB								
PCI Expansion	(1) 32 Bit Card Slot (Not available on MDUPC12)								
Expansion Options	Consult Factory								

Panel Mount Computer

Dimensional Drawing



Dimensions (Inches)			
KEY	MDUPC20	MDUPC19	MDUPC15
A			
B	17.5	17.5	
C	16.8	16.8	13.6
D	18.3	18.3	16.2
E			

Dimensions (Millimeters)			
KEY	MDUPC20	MDUPC19	MDUPC15
A			
B	444	444	
C	427	427	344
D	465	465	411
E			

Cutout Drawing

Cutout Dimensions (Inches)			
Size	Model No.	A	B
20"	MDUPC20	16.38	17.24
19"	MDUPC19	16.38	17.24
15"	MDUPC15	12.70	14.53

Cutout Dimensions (Millimeters)			
Size	Model No.	A	B
20"	MDUPC20	416	438
19"	MDUPC19	416	438
15"	MDUPC15	323	369

