

19" NEMA 4X Workstation

Product Features

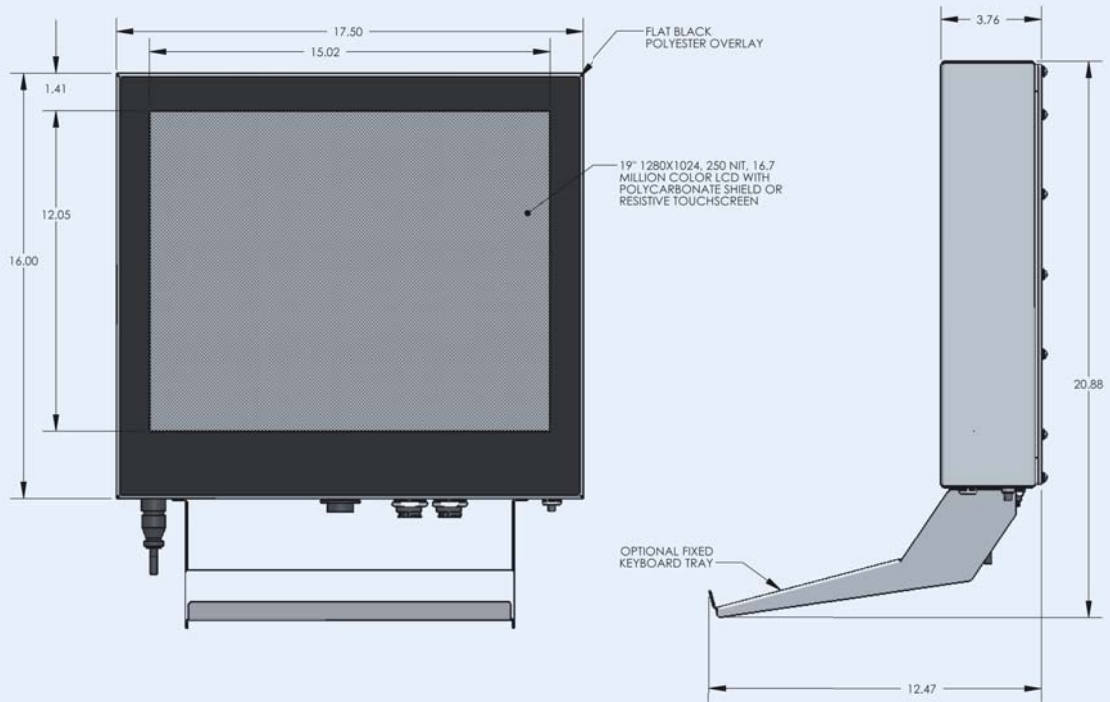
- Stainless Steel, NEMA 4X Packaging
- 19" LCD, 1280 x 1024 Resolution
- Resistive Touchscreen or Polycarbonate Shield
- Intel ATOM Dual Core Processing
- Windows XP Pro or Windows 7
- VESA 100mm mounting pattern
- Flat Black Polyester Overlay for Bacteria Prevention



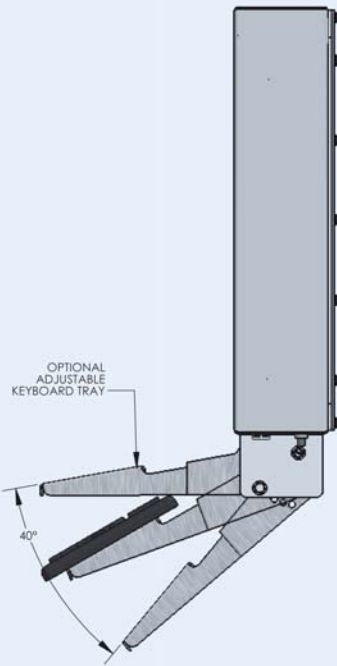
Specifications

LCD Display:	Panel Type	TFT Active Matrix
	Maximum Resolution	1280 x 1024
	Brightness	300 cd/m2
	Viewing Angle	170°/160°
	Colors	16.7 Million
	Contrast Ratio	800:1
	Screen Protection	Resistive Touchscreen, Antiglare or Polycarbonate Shield
	Overlay	.010 Velvet Textured Polyester, Flat Black
Mechanical:	Size (W x H x D)	17.5" x 16.0" x 3.76" (444.5mm x 406.4mm x 95.5mm)
	Weight	27lbs, 1.24kg
	Material	Stainless Steel, 304
	Finish	No. 4, Polished
	Rating	NEMA 4X (IP65)
	Humidity	10% - 90% RH
Temperature:	Operating:	0° to 40°C
	Storage:	-20° to 60°C
Electrical:	Voltage	115/220 VAC, 50/60Hz OR 9-36VDC
	Current	.5A/.25A (AC), 3.5A (12V DC)
	Power Consumption	<50W
Processor	CPU	Intel ATOM 1.8GHz Dual Core
	Operating System	Windows XP Pro, or Windows 7
	Memory	2GB RAM (XP Pro only) or 4GB RAM (Windows 7 only)
	Mass Storage	160GB Hard Drive
	I/O Ports	(2) USB, (2) COM, (1) 10/100/1000 LAN
Peripherals	Optional Wireless	Internal USB Wireless LAN Adapter with removable antenna, 802.11g

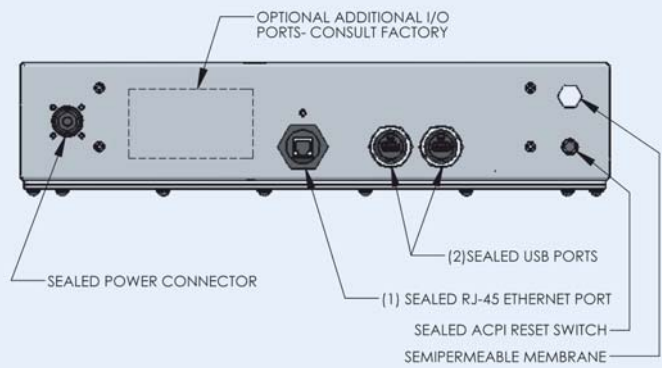
Dimensional Drawing



View of Options

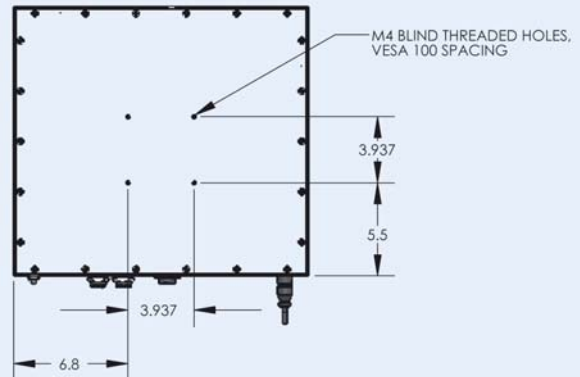


Interface Information



Wall Mount Information

VESA Mounting Pattern



COMARK CORPORATION

www.comarkcorp.com

93 West Street
Medfield, MA 02052

Toll Free 1-800-280-8522
Fax 508-359-2267
Local 508-359-8161

Specifications subject to change without notice. Contact COMARK for current pricing.

All brand names, trademarks and registered trademarks are the property of their respective owners.