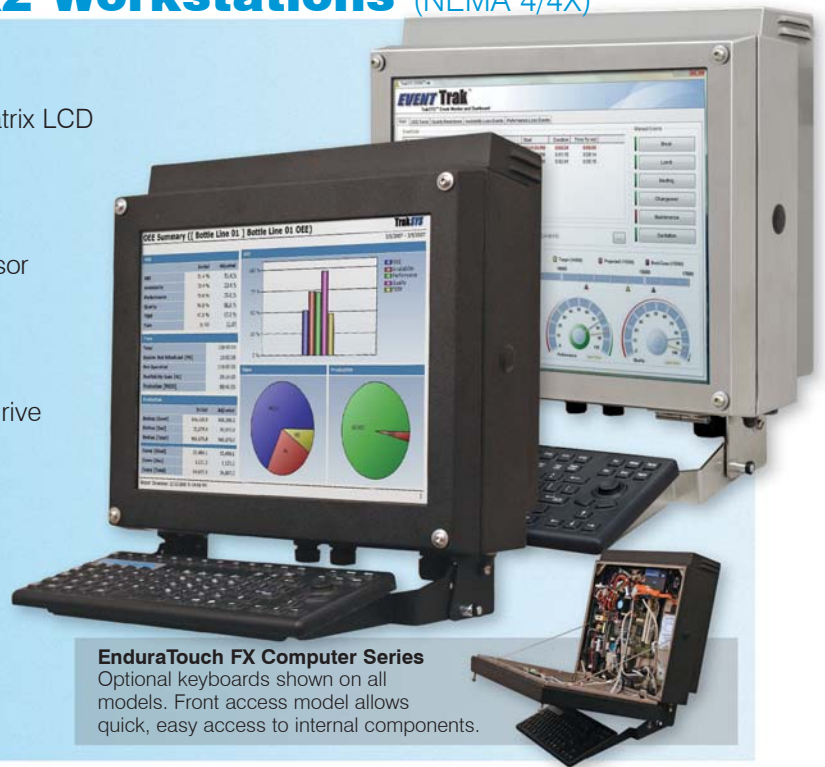


EnduraTouch™ FX2 Workstations (NEMA 4/4X)

Product Features

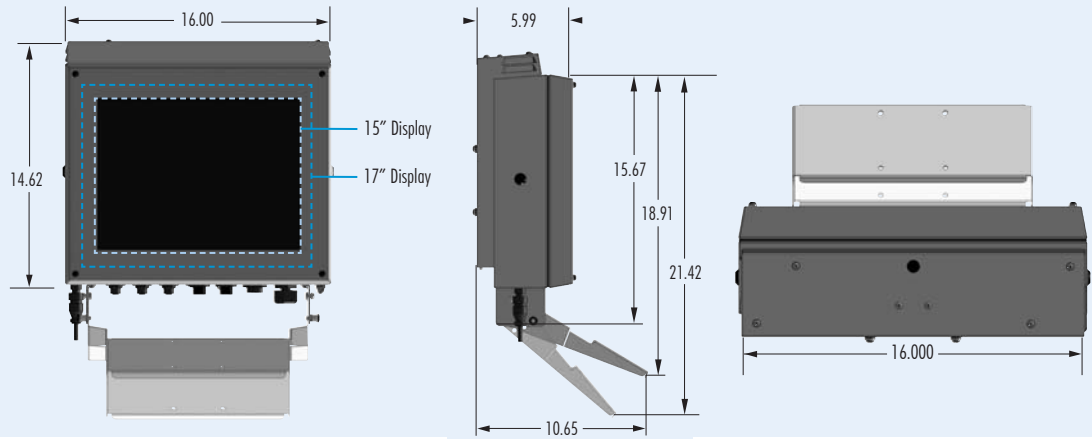
- NEMA 4X Enclosure
- 15" or 17" Front Access Active Matrix LCD
- 1024 x 768 Resolution (15")
- 1280 x 1024 Resolution (17")
- Resistive Touchscreen Option
- Stainless Steel Construction
- Up to 2.2 GHz Core 2 Duo Processor with up to 4 GB of memory
- (2) Gbit Ethernet Ports
- COM (2) RS232 Ports
- (2) USB Ports
- Flash, Hard Drive or Solid State Drive
- (1) PCI card slot
- Windows: XP Pro, XP Embedded, Vista or Linux
- VESA 100mm mounting pattern
- Sealed I/O Ports
- Wireless Option



EnduraTouch FX Computer Series
Optional keyboards shown on all models. Front access model allows quick, easy access to internal components.

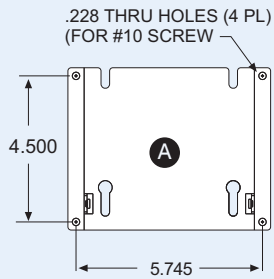
Specifications	ET 1500 FX Duo	ET 1700 FX Duo
LCD Display	15" Diagonal	17" Diagonal
Panel Type	TFT Active Matrix	TFT Active Matrix
Maximum Resolution	1024 x 768	1280 x 1024
Brightness	250 cd/m ²	300 cd/m ²
Viewing Angle	H ±70, V ±70	H ±80, V ±80
Light Source	(2) CCFL 40,000 Hours	(4) CCFL 50,000 Hours
Colors	16.7 Million	16.7 Million
Contrast Ratio	550:1	1000:1
Touchscreen	Resistive, Antiglare	Resistive, Antiglare
Mechanical		
Size (W x H x D)	inch 16" x 17" x 6"	16" x 17" x 6"
	mm 406.4 x 431.8 x 152.4	406.4 x 431.8 x 152.4
Weight	35 lbs., (15.87 kg.)	35 lbs., (15.87 kg.)
Material	Stainless Steel 304	Stainless Steel 304
Finish	No. 4, Polished/Epoxy Pwdr Coated Black	No. 4, Polished/Epoxy Pwdr Coated Black
Rating	NEMA 4X (IP65)	NEMA 4X (IP65)
Humidity	10% - 90% RH	10% - 90% RH
Temperature	operating 0 - 40°C	0 - 40°C
	storage -20°C to +60°C	-20°C to +60°C
Electrical		
Voltage	85 - 264VAC	85 - 264VAC
Current	0.61, max. @ 115 VAC	0.77, max. @ 115 VAC
Power Consumption	78 Watts, Pentium M Core 2 Duo	99 Watts, Pentium M Core 2 Duo
Interface		
I/O Ports	(2) USB, (2) COM, (1) VGA, (1) Digital IO, (2) LAN, PWR	(2) USB, (2) COM, (1) VGA, (1) Digital IO, (2) LAN, PWR
Processor		
CPU	1.8 GHz Core 2 Duo Soc P 2.2 GHz Core 2 Duo Soc P	1.8 GHz Core 2 Duo Soc P 2.2 GHz Core 2 Duo Soc P
Slots	(1) PCI optional	(1) PCI optional
Memory	Up to 4 GB DDR RAM	Up to 4 GB DDR RAM
Video	Integrated Controller	Integrated Controller
Sound	Integrated AC97 Audio	Integrated AC97 Audio
LAN	(2) Gbit Ethernet	(2) Gbit Ethernet
Peripherals		
2.5" SATA Hard Drive	Up to 160 GB	Up to 160 GB
2.5" Solid State Drive	Up to 64 GB (2) 32 GB UDMA CFD	Up to 64 GB (2) 32 GB UDMA CFD
Compact Flash Drive	Up to 16 GB	Up to 16 GB
Other	optional Internal USB wireless LAN adapter with removable antenna	Internal USB wireless LAN adapter with removable antenna

Dimensional Drawing

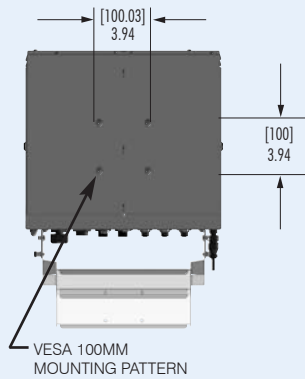


Wall Mount Information

VESA Mounting Pattern

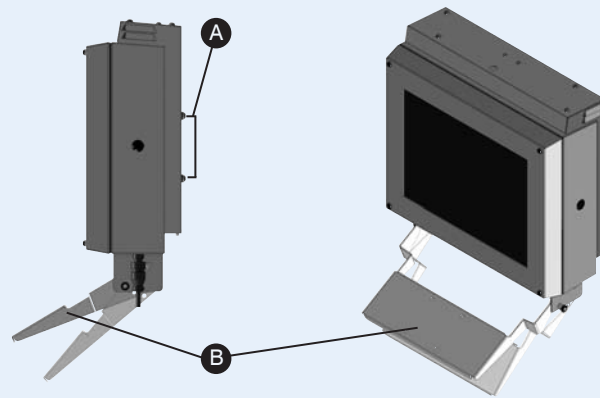


Wall Mount Template



View of Options

- A. Wall Mount Bracket
- B. Keyboard and Tray Assembly



Interface Information

- 1. Up to (3) Turck COM Ports
- 2. Dual USB 2.0 Ports
- 3. Up to (4) COM Ports or (2) COM, (1) DIM, (1) VGA
- 4. Dual Nic Ports

