

EnduraTouch™ FX PC Workstations (NEMA 4/4X)

Product Features

- NEMA 4X Enclosure
- 15 or 17" Front Access Active Matrix LCD
- Resistive Touchscreen Option
- Stainless Steel Construction
- Optional ACP ThinManager Enabled
- (1) PCI card slot
- Windows XP Pro, XP Embedded, Windows 7 or Linux
- VESA 100mm mounting pattern
- Sealed I/O Ports
- Wireless Option



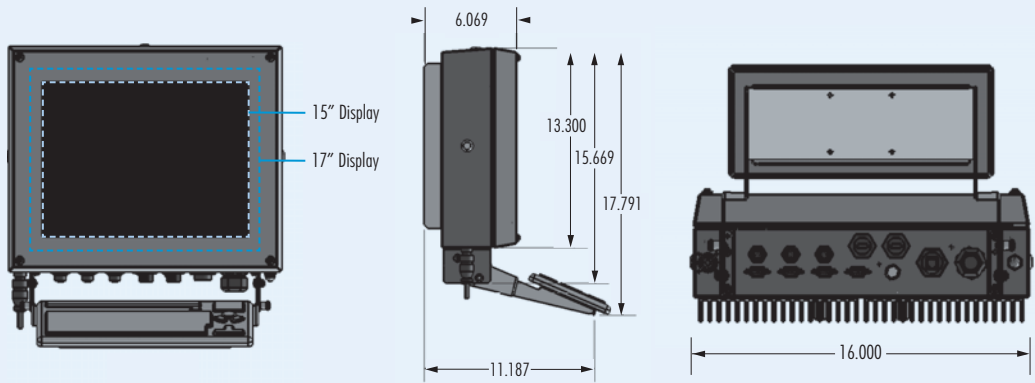
EnduraTouch FX Computers

Optional keyboards shown on all models. Front access model allows quick, easy access to internal components.

Specifications

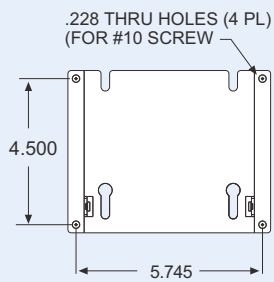
		15" Diagonal - ET 1500 FX	17" Diagonal - ET 1700 FX
LCD Display			
Panel Type		TFT Active Matrix	TFT Active Matrix
Maximum Resolution		1024 x 768	1280 x 1024
Brightness		250 cd/m ²	300 cd/m ²
Viewing Angle		H ±70, V ±70	H ±80, V ±80
Light Source		(2) CCFL 40,000 Hours	(4) CCFL 50,000 Hours
Colors		16.7 Million	16.7 Million
Contrast Ratio		550:1	1000:1
Touchscreen		Resistive, Antiglare	Resistive, Antiglare
Mechanical			
Size (W x H x D)	inch	16" x 13.3" x 6"	16" x 13.3" x 6"
	mm	406 x 338 x 152	406 x 338 x 152
Weight		27 lbs., (12.2 kg.)	30 lbs., (13.6 kg.)
Material		Stainless Steel 304	Stainless Steel 304
Finish		No. 4, Polished	No. 4, Polished
Rating		NEMA 4X (IP65)	NEMA 4X (IP65)
Humidity		10% - 90% RH	10% - 90% RH
Temperature	operating	0 - 50°C	0 - 40°C
	storage	-20°C to +60°C	-20°C to +60°C
Electrical			
Voltage		85 - 264VAC, 9 - 36 VDC (optional)	85 - 264VAC, 9 - 36 VDC (optional)
Current		0.32, max. @ 115 VAC 3.0A @ 12VDC (optional)	0.42, max. @ 115 VAC 4.0A @ 12VDC (optional)
Power Consumption		36 Watts	48 Watts
Processors			
Interface		ATOM 1.8GHz Dual Core	ATOM 1.6GHz Dual Core
I/O Ports		(2) USB, (1) LAN, up to (2) COM, PWR	(2) USB, (2) LAN, up to (4) COM, PWR
Processor			
CPU		ATOM 1.8 GHz Dual Core, NM10 Chipset	ATOM 1.6 GHz Dual Core, D510 Chipset
Slots		(1) PCI, (1) PCI Express Mini	(1) PCI, (2) PCI Express Mini
Operating System		Windows XP Pro for Embedded Systems, XP Embedded, Windows 7, Linux	Windows XP Pro for Embedded Systems, XP Embedded, Windows 7, Linux
Memory		Up to 4 GB	Up to 4 GB
LAN		10/100/1000	10/100/1000
Hard Drive		2.5" SATA up to 320GB	2.5" SATA up to 320GB
Compact Flash		Not Available	Supports Compact Flash and SS Drives

Dimensional Drawing

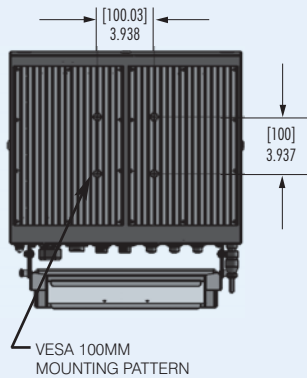


Wall Mount Information

VESA Mounting Pattern

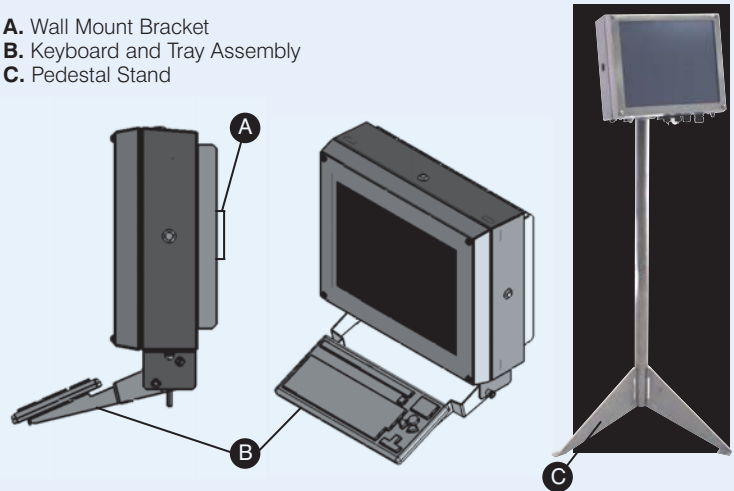


Wall Mount Template

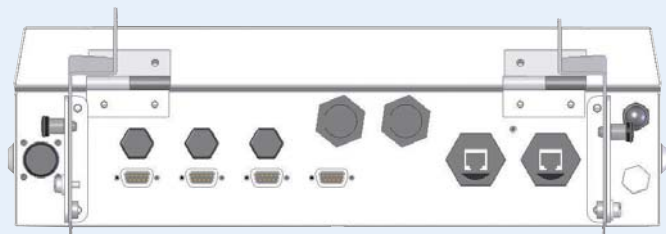


View of Options

- A. Wall Mount Bracket
- B. Keyboard and Tray Assembly
- C. Pedestal Stand



Interface Information



COMARK CORPORATION

93 West Street
Medfield, MA 02052

Toll Free 1-800-280-8522
Fax 508-359-2267
Local 508-359-8161

Specifications subject to
change without notice.
Contact COMARK for
current pricing.

www.comarkcorp.com

All brand names, trademarks
and registered trademarks
are the property of their
respective owners.