

## Military Computer Workstations

### Product Features

- MIL-S-901D Grade 'A' Shock Approval
- MIL-STD-167-1 Vibration Approval
- MIL-STD-461E EMI/EMC Approval
- MIL-STD-810F Operating and Storage Temperature/Humidity Approval
- Fully Sealed NEMA 4X Unit
- Built-In Ethernet Redundancy
- Supports Both Copper and Fiber Ethernet
- Optional Rugged Keyboard (MIL Qualified)
- Versatile Bulkhead Mounting Solutions
- Up to i5/i7 Computer Processing

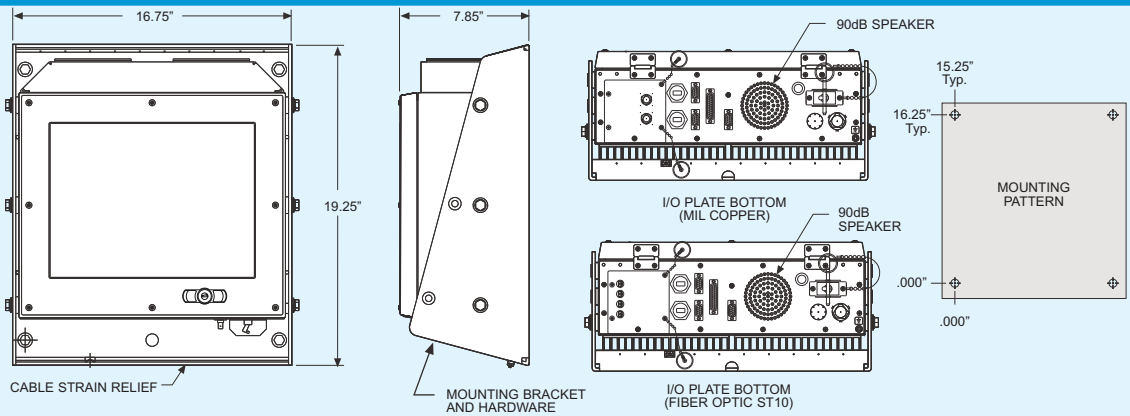


### Environmental Approvals

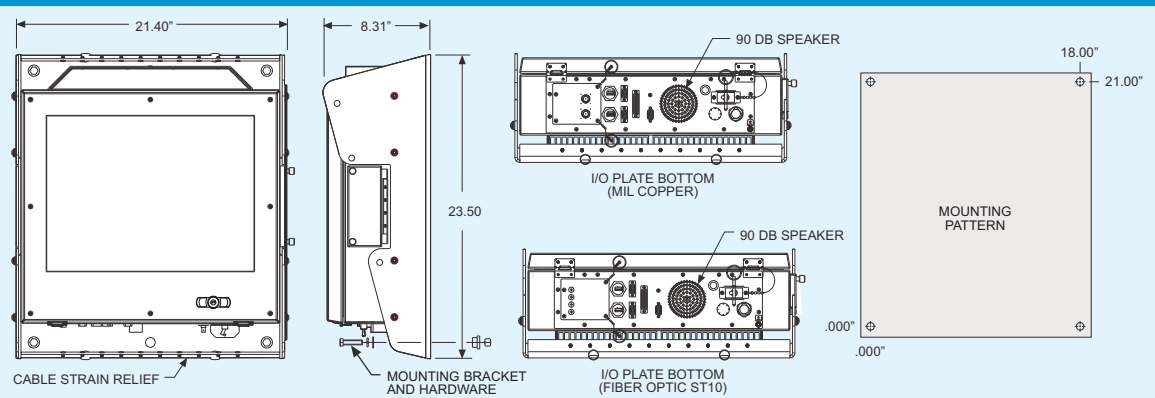
Ratings	Condition	Details
MIL-S-901D	Shock	Grade A, Class 1, Type A
MIL-STD-167-1	Vibration	Type 1
MIL-STD-461E	EMI/EMC	
MIL-STD-810F	Operating Temp.	0° to 50°C (32° to 122°F)
	Extended Temp. Option	0° to 65°C (32° to 149°F)
MIL-STD-810F	Storage Temp.	-20° to +85°C (-4° to +185°F)
	Extended Temp. Option	-40° to +85°C (-40° to +185°F)
MIL-STD-810	Humidity	Method 507.3 (5 to 95%)
MIL-STD-454	Quality and Workmanship	
MIL-I-45208		
ISO 9001		

Specifications	9580	9590
<b>LCD</b>		
Display Screen Size	15.0" Diagonal	20.1" Diagonal
Display Type	TFT Active Matrix	TFT Active Matrix
Resolution	1024 x 768 (multi-sync)	1600 x 1200 (multi-sync)
Brightness	250 cd/m2	200 cd/m2
Brightness Control	0 - 100%	0 - 100%
Viewing Angle	65° Horizontal, 55° Vertical	±85° Horizontal and Vertical
Colors	16 Million	16 Million
Contrast Ratio	400:1	400:1
Touch Screen	Resistive, High Resolution Resistive w/Bonded EMI Glass, High Resolution	Resistive, High Resolution Resistive, w/Bonded EMI Glass, High Resolution
Cursor Control	Durapoint Mouse	Durapoint Mouse/MIL Keyboard Trackball Options
<b>Electrical</b>		
Voltage	85-264VAC, 50/60 Hz	85-264VAC, 50/60 Hz
Current	1A Max @ 115VAC	1.5A Max @ 115VAC
Power	100 Watts Maximum	200 Watts Maximum
<b>Physical</b>		
Enclosure	NEMA 4X, Actively Cooled with Thermostatically Controlled Fans	NEMA 4X, Actively Cooled with Thermostatically Controlled Fans
Overall Dimensions (WxHxD)	16.75" x 19.25" x 7.85" (425.45 x 488.95 x 199.39)mm	21.40" x 23.5" x 8.31" (543.56 x 596.90 x 211.07)mm
Weight (without bracket)	40 lbs. (18.14 kg.)	68 lbs., (30.8 kg.)
Material	304 Stainless Steel	304 Stainless Steel
Mounting Bracket	.187" Aluminum	.187" Aluminum Plate
Bracket Weight	12 lbs. (5.4kg.)	16 lbs., (7.25 kg.)
Color	Black (enclosure and bracket)	Black (enclosure and bracket)
<b>Processor</b>		
Processor Speed	Pentium up to i5/i7 MAX 8 GB RAM*	Pentium up to i5/i7 MAX 8 GB RAM*
Expansion Slot	(1) PCI	(1) PCI
Video	Integrated Graphics Controller	Integrated Graphics Controller
Sound	Integrated Audio (90dB)	Integrated Audio (90dB)
Ethernet	Dual 10/100BT, CAT5 Mil Copper or Fiber, or Custom configuration available	Dual 10/100BT*, CAT5 Mil Copper or Fiber, or Custom configuration available (* Core 2 Duo, up to 1000 BT)
Mass Storage	Solid State Flash	Solid State Flash, Compact Flash, 2.5" Hard Drive
USB Ports	(2) Bootable, USB 2.0, (1) Extra USB Option	(2) Bootable, USB 2.0, (1) Extra USB Option
I/O Ports	(2) DB9: (1) RS232, (1) RS485, (1) Parallel	(2) DB9: (1) RS232, (1) RS485, (1) Parallel
Operating System	Windows® XP Pro, Windows® XP-Embedded, Windows Std. 7, Windows 7, 32/64 bit, Windows 2000, Linux Redhat	
	*Consult factory for configuration.	

## 9580 Dimensional Drawing

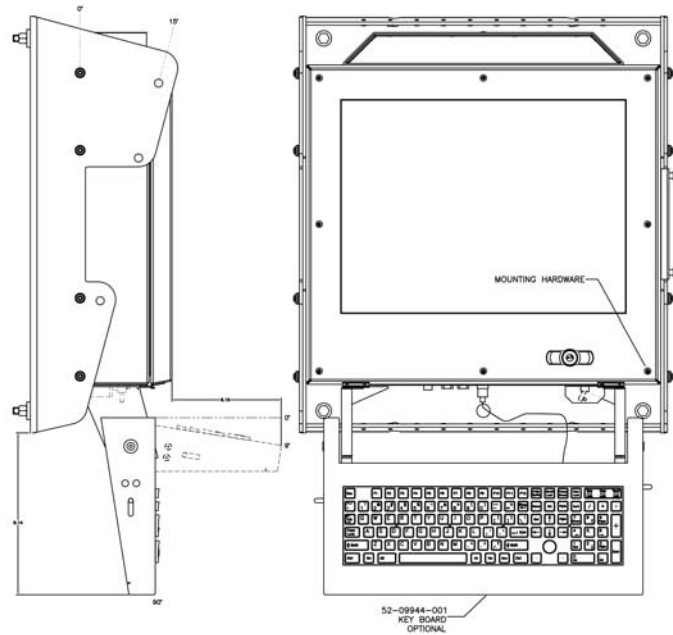


## 9590 Dimensional Drawing

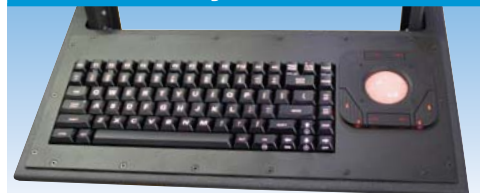


## Optional Accessories

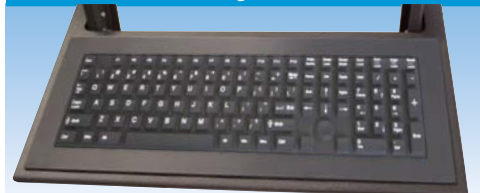
### Keyboard Tray



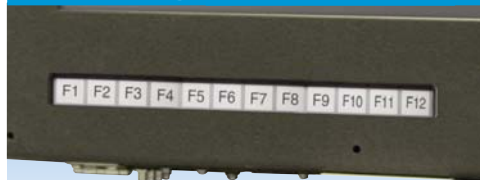
### Backlit MIL Keyboard W/Trackball



### Standard MIL Keyboard W/Mouse



### Function Keys (20" 9590 System Only)



**COMARK CORPORATION**

93 West Street  
Medfield, MA 02052

Toll Free 1-800-280-8522  
Fax 508-359-2267  
Local 508-359-8161

Specifications subject to  
change without notice.  
Contact COMARK for  
current pricing.

[www.comarkcorp.com](http://www.comarkcorp.com)

All brand names, trademarks  
and registered trademarks  
are the property of their  
respective owners.