



9251 Style Cabinet

9252 Style Cabinet

9251/9252/9253 Stainless Steel Cabinets

Rugged, Corrosion Resistant Cabinets with NEMA 4X Sealed Doors

Standard Features

- NEMA 4X Gasketing with Gutters
- Rugged Design
- 304 Stainless Steel, .074 thick
- Number 4 Fine Grain Finish
- Three Point Latch Mechanism on all Doors
- Keylock Access Standard
- Built In Shelving for User Equipment
- Vented Battery Compartment
- Rugged Equipment Plate with Corrosion Resistant .090 5052 Aluminum
- Wall-Floor Mounting Bracket Installed
- Custom Options Available

Optional Features

- Pre-Configured Equipment Plates
- I/O Mounting Holes
- Equipment Installation and Testing
- Configuration Controlled Fabrication
- Thermal Design
- Floor Mount/Wall Mount Only
- Isolated Equipment Compartments
- Custom Keying Optional

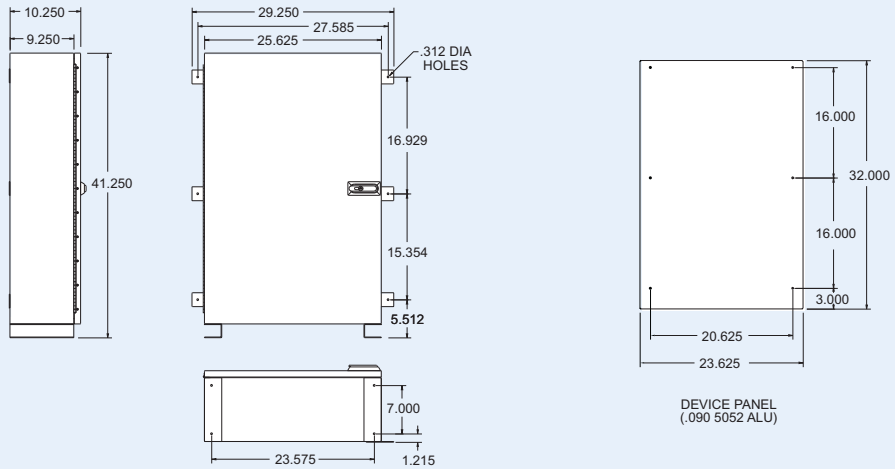
Ordering Guide

51-09251-001	Enclosure, 39"x25"x10", SS304, (1)Door, (1) MTG PNL
51-09252-001	Enclosure, 39"x25"x10", SS304, (2)Door, (1)PNL, (1)SHL
51-09253-001	Enclosure, 39"x25"x13", SS304, (2)Door, (2) PNL

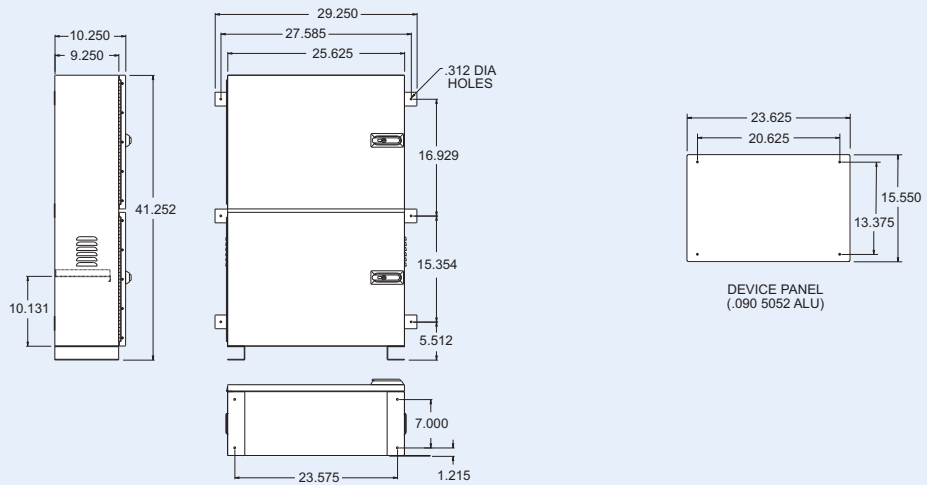
Consult factory for options, pricing and applications support for your product.



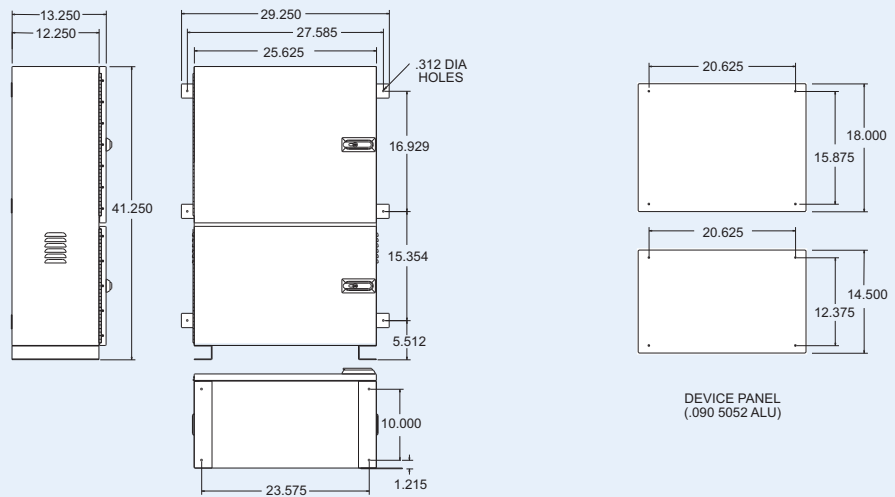
9251 Dimensional Drawing



9252 Dimensional Drawing



9253 Dimensional Drawing



COMARK CORPORATION

www.comarkcorp.com

93 West Street
Medfield, MA 02052

Toll Free 1-800-280-8522
Fax 508-359-2267
Local 508-359-8161

Specifications subject to
change without notice.
Contact COMARK for
current pricing.

All brand names, trademarks
and registered trademarks
are the property of their
respective owners.