

## Fanless 22" Military Computer Workstation

### Product Features

- Modular Design
  - Sealed Panel or Wall Mount Display
  - Sealed Fanless Computer
- Full MIL Tested Design
- Built-In Ethernet Redundancy
- Copper and Fiber Ethernet
- Built-In Ethernet Redundancy
- Optional Rugged Keyboard
- Versatile Bulkhead Mounting Solutions



### Environmental Approvals

Ratings	Condition	Details
MIL-S-901D	Shock	Grade A, Class 1, Type A
MIL-STD-167-1	Vibration	Type 1
MIL-STD-461E	EMI/EMC	
MIL-STD-810F	Operating Temp.	0° to 50°C (32° to 122°F)
	Extended Temp. Option	0° to 65°C (32° to 149°F)
	Storage Temp.	-20° to +85°C (-4° to +185°F)
	Extended Temp. Option	-40° to +85°C (-40° to +185°F)
MIL-STD-810	Humidity	Method 507.3 (5 to 95%)
MIL-STD-454	Quality and Workmanship	
MIL-I-45208		
ISO 9001		

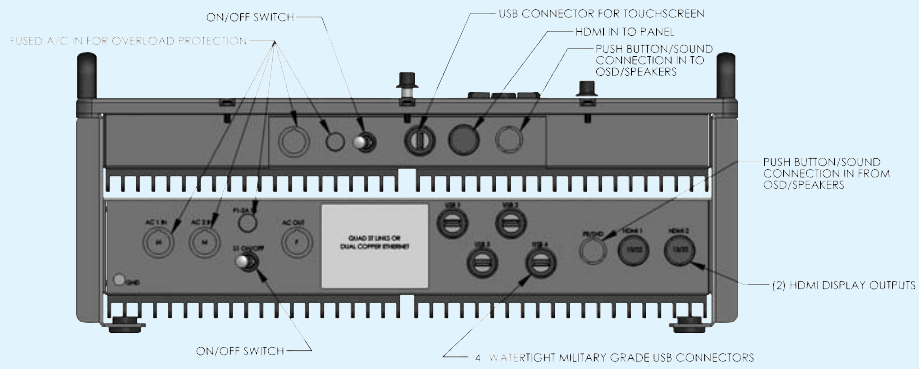
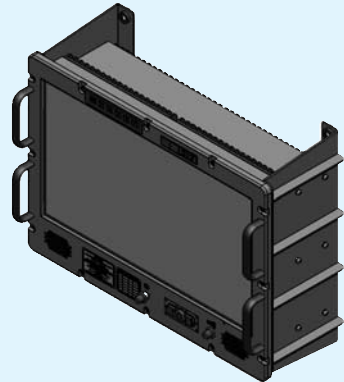
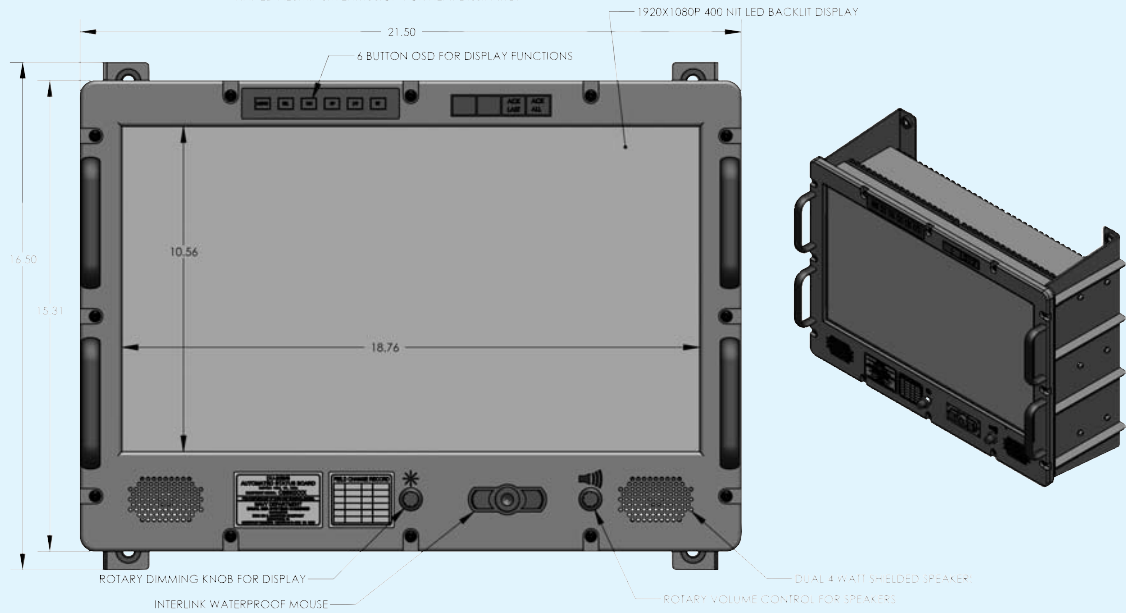
### Specifications

<b>LCD</b>	Display Screen Size	22" Class Diagonal*
	Display Type	TFT Active Matrix
	Resolution	1920 x 1080
	Brightness	200 cd/m <sup>2</sup>
	Brightness Control	0 - 100%
	Viewing Angle	±85° Horizontal and Vertical
	Colors	16 Million
	Contrast Ratio	
	Touch Screen	Resistive
	Cursor Control	Durapoint Mouse/MIL Keyboard Trackball Options
<b>Electrical</b>	Voltage	85-264VAC, 50/60 Hz
	Current	1.5A Max @ 115VAC
	Power	200 Watts Maximum
<b>Physical</b>	Enclosure	NEMA 4X, 2 Piece, Computer and Display
	Overall Dimensions (WxHxD)	21.50" x 16.50" x 9.12" (546.1 x 419.1 x 231.65)mm
	Weight (without bracket)	50 lbs., (22.7 kg.)
	Material	304 Stainless Steel
	Mounting Bracket	Aluminum
	Bracket Weight	16 lbs., (7.25 kg.)
	Color	Black (enclosure and bracket)
<b>Processor</b>	Processor Speed	Intel I5 / I7
	Memory	Up to 2GB DDR
	Expansion Slot	(1) PCI
	Video	Integrated Graphics Controller
	Sound	Integrated Audio (90dB)
	Ethernet	Dual 10/100BT, CAT5 Mil Copper or Fiber
	Mass Storage	Solid State Flash, Compact Flash
	USB Ports	(2) Bootable, USB 2.0, (1) Extra USB Option
	I/O Ports	(2) DB9: (1) RS232, (1) RS485, (1) Parallel
	Operating System	Windows® XP Pro, Windows® XP-Embedded, Linux Redhat
		Available with Comark EnduraShell Secure Shell for FCS and Machinery Control Applications

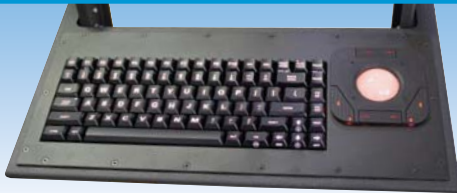
\*22" Class Display 21.53" Diagonal Viewable Area

## 9580 Dimensional Drawing

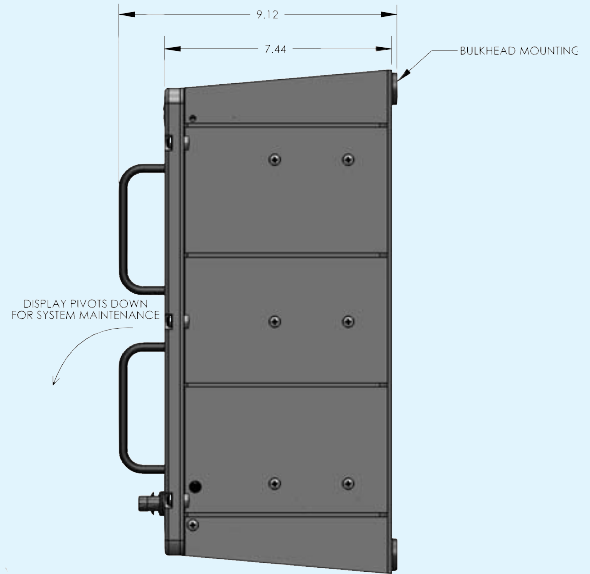
MATERIAL:  
 -MACHINED ALUMINUM BEZEL  
 -129°SS304 GUSSETED FLEXIBLE DESIGN MOUNTING FRAME  
 -FINNED ALUMINUM EXTRUSION FOR HEAT DISSIPATION



### Backlit MIL Keyboard W/Trackball



### Standard MIL Keyboard W/Mouse



**COMARK CORPORATION**

[www.comarkcorp.com](http://www.comarkcorp.com)

93 West Street  
 Medfield, MA 02052

Toll Free 1-800-280-8522  
 Fax 508-359-2267  
 Local 508-359-8161

Specifications subject to  
 change without notice.  
 Contact COMARK for  
 current pricing.

All brand names, trademarks  
 and registered trademarks  
 are the property of their  
 respective owners.