

Opti-Brite™ Sunlight/Daylight Readable LCD's

LCD's with Adjustable Brightness

- 12", 15" and 17" High Resolution Displays
- Marine Aluminum Construction
- NEMA 4X Enclosure
- 0 - 100% Adjustable Brightness for Readability in Sunlight
- Multiple Mounting Options
- Resistive Touchscreen (Optional)
- Cabling up to 50' (12.70 m)
- Front OSD Controls



Opti-Brite LCD Displays have 0% - 100% brightness control and are sunlight readable. They are NEMA 4X rated, making them an ideal choice for wet, outdoor environments. The LCD shown above is a 15.1" model.

Specifications	12" LCD	15.1" LCD	17" LCD
LCD Screen			
Resolution	800 x 600	1024 x 768	1280 x 1024
Brightness (typ.) no touchscreen	1250 cd/m ²	1600 cd/m ²	900 cd/m ²
Brightness (typ.) with touchscreen	937 cd/m ²	1200 cd/m ²	700 cd/m ²
Viewing Angle Horizontal	±70°	±70°	±60°/±45°
Viewing Angle Vertical	±55°	+50°/-70°	±85°/±85°
Light Source	CCFL 30,000 Hrs. Life	CCFL 30,000 Hrs. Life	CCFL 30,000 Hrs. Life
Colors	256K	256K	256K
Contrast Ratio	500:1	400:1	500:1
Touchscreen, Resistive	Optional	Optional	Optional
Physical			
Dimensions Inch (W x H x D)	13.250 x 11.00 x 3.123	14.716 x 12.717 x 3.123	15.792 x 14.0 x 3.398
Dimensions Metric (W x H x D)	336.5 x 279.40 x 79.324	373.786 x 323.01 x 79.324	401.117 x 355.60 x 86.309
Weight	20 lbs. (9.07 kg)	22 lbs. (9.98 kg)	26 lbs. (11.793 kg)
Color	Black (Std.) or White	Black (Std.) or White	Black (Std.) or White
Temperature			
Operating	0° - 50°C	0° - 50°C	0° - 50°C
Electrical			
Voltage DC	10 - 36VDC	10 - 36VDC	10 - 36VDC
Voltage AC	90 - 264VAC	90 - 264VAC	90 - 264VAC
w/external adapter provided			
Current @ 12VDC (Max.)	3.0 AMPS	5.3 AMPS	5.0 AMPS
Power Consumption (Max.)	36 Watts	65 Watts	60 Watts
Brightness Control	Single Knob, 0 - 100%	Single Knob, 0 - 100%	Single Knob, 0 - 100%
Interface			
	VGA, SVID, RS170, Composite Video	VGA, SVID, RS170, Composite Video	VGA, SVID, RS170, Composite Video
Certification Options			
	FCC, UL, CUL, CE, ABS/LR	FCC, UL, CUL, CE, ABS/LR	FCC, UL, CUL, CE, ABS/LR
Order Guide			
GLASS			
White	51-18801-001	51-18803-001	51-18807-001
Black	51-18801-002	51-18803-002	51-18807-002
RESISTIVE TOUCHSCREEN			
White	51-18801-011	51-18803-011	51-18807-011
Black	51-18801-012	51-18803-012	51-18807-012
POWER CABLE OPTIONS			
CABLE, VGA	53-08806-XXX	53-08806-XXX	53-08806-XXX
CABLE, SERIAL	50-08330-XXX	50-08330-XXX	50-08330-XXX
CABLE, COMPOSITE	53-12173-XXX	53-12173-XXX	53-12173-XXX
DC Input Cable	53-08907-XXX	53-08907-XXX	53-08907-XXX
AC Input Adapter (10')	50-11253-007	50-11253-007	50-11253-007
(15')	50-11253-015	50-11253-015	50-11253-015
MOUNTING OPTIONS			
RAM Arm Mount	50-08815-003	50-08815-003	50-08815-003
Panel Mount Kit	50-10587-012	50-10587-015	50-10587-017

* XXX equals desired length up to 50' in 5' increments.

COMARK CORPORATION

Engineered Solutions

www.comarkcorp.com

1-800-280-8522

LCD Displays

Opti-Brite Features



Opti-Brite LCD's have a compact design and shallow depth that can easily fit into your ship and marine applications.

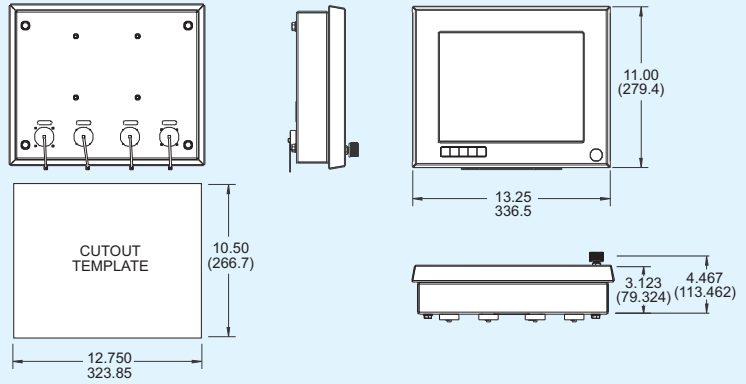


Front panel OSD and brightness controls are standard on all Opti-Brite LCD display models.

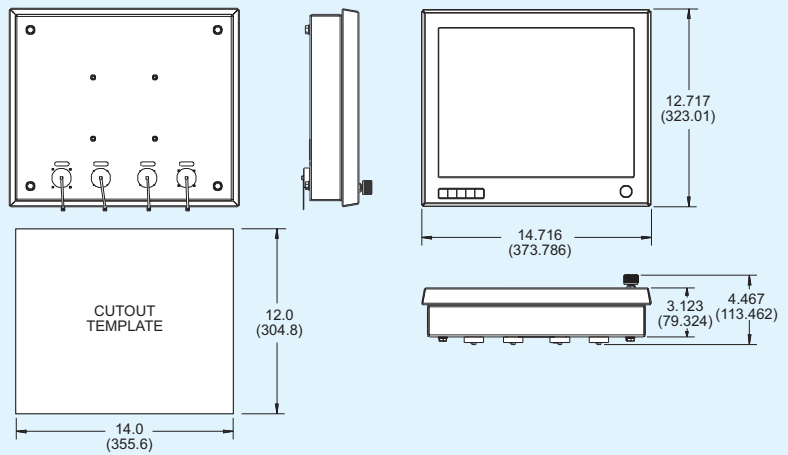


All Opti-Brite LCD's have input/output that includes VGA, SVID, RS170 and Composite Video inputs.

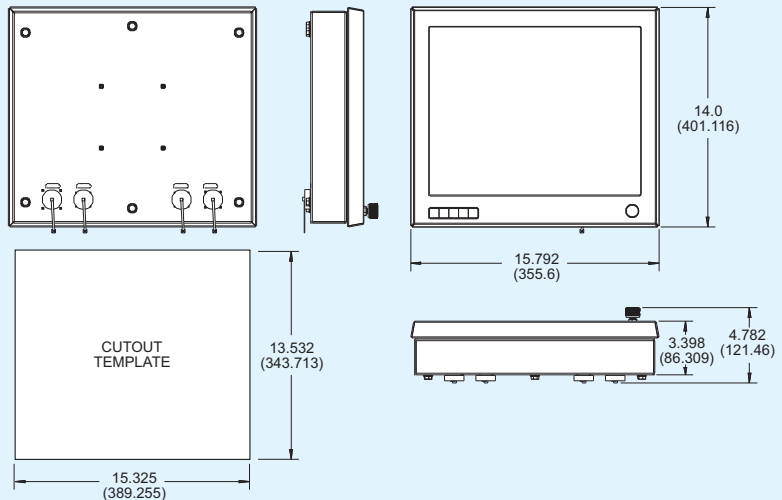
18801 12" LCD Outline Drawing



18803 15.1" LCD Outline Drawing



18807 17" LCD Outline Drawing



COMARK CORPORATION

www.comarkcorp.com

93 West Street
Medfield, MA 02052

Toll Free 1-800-280-8522
Fax 508-359-2267
Local 508-359-8161

Specifications subject to
change without notice.
Contact COMARK for
current pricing.

All brand names, trademarks
and registered trademarks
are the property of their
respective owners