

DuraMobile PC

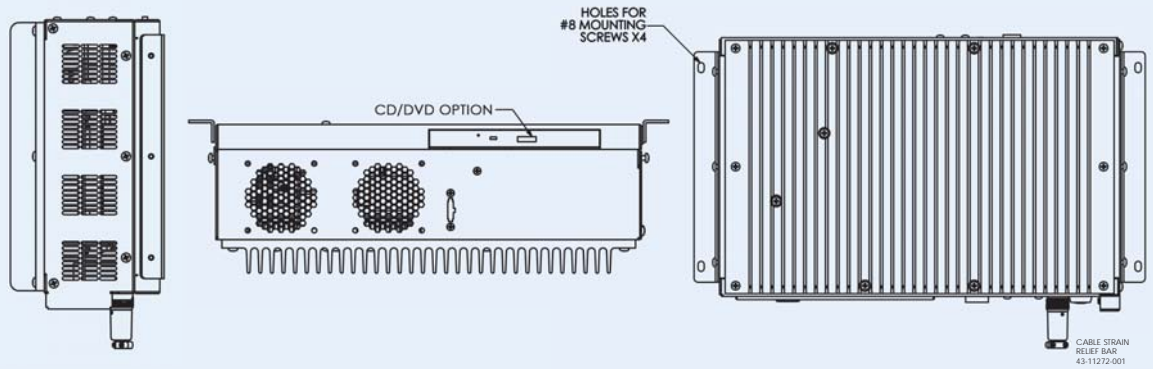
- Core 2 Duo/Pentium/Celeron M CPU up to 2.27GHz
- Optional ACP ThinManager Enabled
- Up to 4 GB System Memory
- AC/DC, Low Power Consumption
- DVD/CD-RW (Optional)
- Compact Form Factor
- Conformal Coated Electronics (Optional)
- Cable Strain Relief Bracket (Optional)
- Tested To Meet 60945 Requirements
- UL 864/ULCS-527 Recognized
- ABS Type Approved
- UL 1069/C22.2 No. 205 Recognized



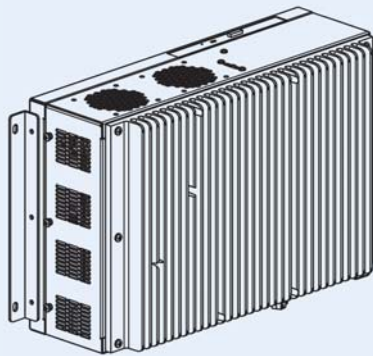
Specifications

Computer:	Processor	Core 2 Duo/Pentium/Celeron M CPU up to 2.27GHz
	RAM	512mb up to 4 GB, DDR2 533/667 MHz (min 512 CEL, PENT, 1GB CORE 2)
	Mass Storage	Solid State up to 160 GB, Rotating up to 1 TB (SATA)
	Optical Drive	DVD/CD-RW Optional
	Operating System	ACP ThinManager Enabled, Win XP Embedded, Win XP Pro, Vista, Linux
Interface:	I/O Ports	(2) RS232 Serial Ports, (2) Gigabit LAN RJ45 Connectors,
	Core 2 Duo Processors	(4) USB Ports, (1) 15-Pin VGA, PS/2 Keyboard & Mouse Ports, (2) PCI Slots Optional
	Celeron M Processors	(4) RS232 Ports, (1) 10/100 LAN, (1) Gigabit LAN RJ45 (4) USB Ports, (1) 15-Pin VGA, (2) PCI Slots (Optional)
Physical:	Dimensions	8.9 w x 13.1 h x 3.5 d (226.1mm x 332.7mm x 88.9mm)
	Weight	8.5 lbs (3.85 kg.)
	Material	ALUMINUM
	Color	BLACK
	Finish	SEMI GLOSS
	Mounting	Four (4) Mounting screws (#8)
Electrical:	Voltage	12/24VDC, (120) watts (Non-Isolated) 90-264 VAC with Adapter (Isolated)
	Current	5A @ 24VDC
Environmental:	Environment	Vented/Fanless
	Temperature	0° - 55° C
	Relative Humidity	95% R.H. at 104° F
	Corrosion Prevention	Conformal Coating Optional
	Cooling	Finned Aluminum Extrusion, Blower Attachment Optional
Certifications:	Tested to meet 60945 requirements	
	UL 864 Approved	
	ABS Type Approved	

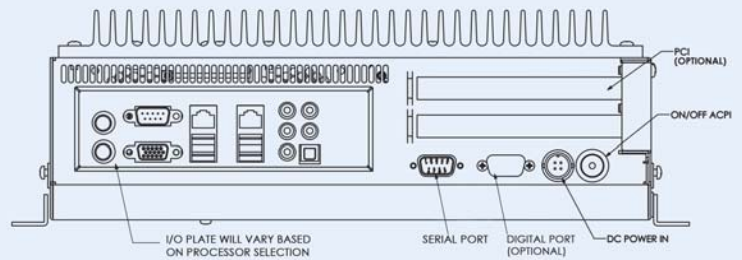
Fanless PC Outline Drawing



Preferred Mounting



I/O Panel



COMARK CORPORATION

93 West Street
Medfield, MA 02052

Toll Free 1-800-280-8522
Fax 508-359-2267
Local 508-359-8161

www.comarkcorp.com

Specifications subject to
change without notice.
Contact COMARK for
current pricing.

All brand names, trademarks
and registered trademarks
are the property of their
respective owners.