

EnduraShock Military Computer Workstation



U.S. Navy photo by Mass Communication Specialist 3rd Class James R. Evans. Tank photo Courtesy of U.S. Army.

Features

- Meets MIL- 901D Shock Specification
- 15" LCD Screen
- 250 cd/m² Brightness (Standard) Sunlight Readable (Optional)
- 1024 x 768 XGA Resolution
- Machined Aluminum Bezel
- EMI Shielding
- Resistive Touchscreen Optional
- ITX MB Architecture
- Celeron, P4 Processing Platforms
- CPU Speeds up to 2.4GHz
- (1) PCI Expansion Slot
- Built-In Video, Multi I/O and 10/100BT LAN Support
- Dual Fiber or Copper Ethernet Options
- Up to 16 GB of Compact Flash
- MultiFunction Input Selection: VGA or Composite Video
- 90dB Speaker Optional
- Conformal Coated Electronics
- Built in Wall Mount Bracket
- Hinged for Easy Service
- 2 External USB Ports

Specifications

LCD	Size	15" Active Matrix TFT
	Resolution	1024 x 768
	Brightness	250cd/m ² standard, (900cd/m ² optional)
	Brightness Control	0 - 100%
	Viewing Angle	±85° horizontal/±85° vertical
	Colors	16 .7 million
	Contrast Ratio	350:1
HMI	Touchscreen, Resistive High Resolution	Serial Interface
Electrical	Voltage	85-264VAC 50/60Hz
	Current	5A Max @ 115VAC
	Power	250 Watts Maximum
Physical	Enclosure Cooling	Actively cooled with fans
	Dimensions (W x H x D)	19.37" x 17.25" x 8.10" (492.0mm x 438.15mm x 205.74mm)
	Weight	21.5 lbs. (9.75 kg.)
	Material	5052 Aluminum Bezel, Stainless Steel 304 Enclosure
Options	Color/Silkscreen	Black Standard Colors Optional (Requires Specification)
	Cables	6' Standard - Custom Length Optional
	Environmental	Operating
	Shock	10G, 3 Axis, 11ms
	Vibration	.5G, 3 Axis, 10 - 150Hz
	Humidity	0 - 95% RHNC
	Storage	-10 to +65°C, (14 - 149°F)
Certifications	MIL-901D	Shock Testing
	Designed to Meet	MIL-167, MIL-461, IEC 60945

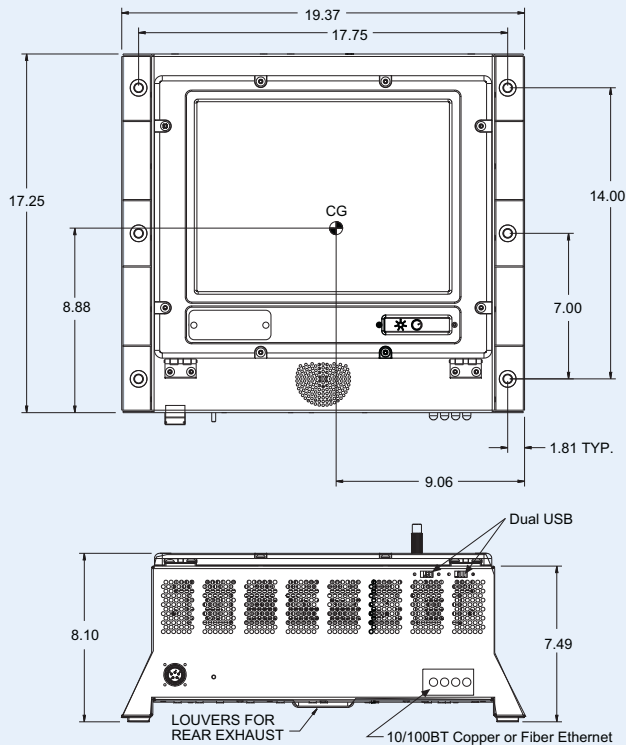
COMARK CORPORATION

Engineered Solutions

www.comarkcorp.com

1-800-280-8522

Dimensional Drawing



Order Guide

Standard Options

LCD:

Machined aluminum bezel, 15" LCD, 250 cd/m² (900 cd/m² optional), 1024 x 768 Resolution, 0-100% Brightness Control, EMI Glass and Conformal Coated Electronics.

CPU:

Socket 478 ITX MB, up to 2.4 GHz CPU, up to 1 GB of DDR RAM, up to 4 GB Compact Flash Drive, (1) PCI Slot, 250W Universal Power Supply and Windows® 2000, XP or XP-Embedded OS.

Size (W x H x D)

19.37" x 17.25" x 8.10"
(492.0mm x 438.15mm x 205.74mm)

Weight

21.5 lbs, (9.75 kg.)

Optional Features

System Options

Standard	51-10424-101	15" OIP, 1024 x 768, 250cd/m ² , 90 - 264 VAC, EMI Glass, ITX MB, 10/100BT LAN, 1 PCI, BLACK
Hi Brite	51-10425-101	15" OIP, 1024 x 768, 900cd/m ² , 90 - 264 VAC, EMI Glass, ITX MB, 10/100BT LAN, 1 PCI, BLACK

ITX MB

(select one)	68-10165-818	CPU, CEL 1.8GHz, LAN, 2USB, VGA, DI/O
	68-10165-820	CPU, CEL 2.0GHz, LAN, 2USB, VGA, DI/O
	68-10165-124	CPU, P4 2.4GHz, LAN, 2USB, VGA, DI/O

Memory

(select one)	61-09382-512	DIMM, 512MB, P4, DDR400, PC3200
	61-09382-010	DIMM, 1GB, P4, DDR400, PC3200

Flash

(select one)	61-11542-902	CF DISK, 2GB, Type I, Extended Temperature
	61-11542-904	CF DISK, 4GB, Type I, Extended Temperature
	61-11542-908	CF DISK, 8GB, Type I, Extended Temperature
	61-11542-916	CF DISK, 16GB, Type I, Extended Temperature

NIC, Sound, COMMS Cards

	63-10608-001	NIC, DualFiber, PCI, 100BT
	63-09432-001	NIC, Copper, PCI, 10/100, RJ45
	63-07886-002	Soundblaster, PCI, 16 Bit

Operating System

(select one)	69-06208-001	WINDOWS® 2000 (COA Only)
	69-06221-001	WINDOWS® XP PROFESSIONAL
	69-06225-001	WINDOWS® XP EMBEDDED, RUNTIME LIC

Options

		Non-EMI Shielding (Consult Factory)
		Power and USB Cables (Consult Factory)